



Photoelectric Sensor

# J SERIES

- JT-□1000□□ ·JT-□1000□□IR
- JR-□300□□ ·JD-□R80□□
- JD-□L03□□ ·JD-□W08□□

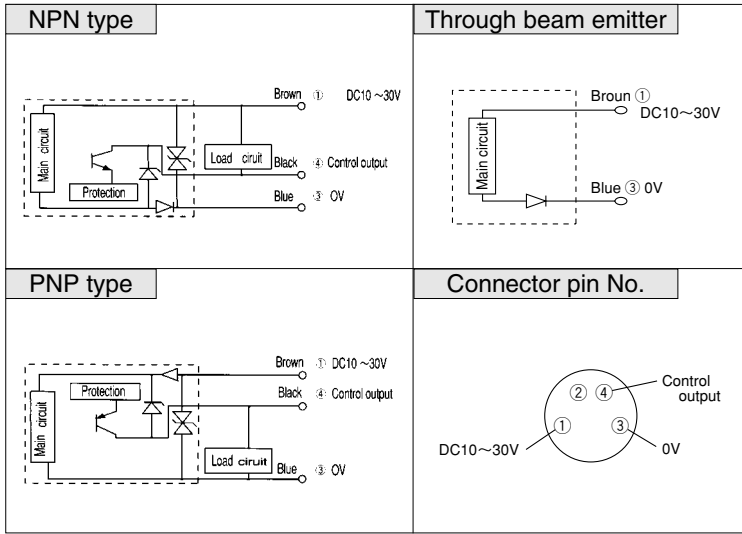
## INSTRUCTION MANUAL

- Confirm if the item meets your needs.
- Before the use, you should first thoroughly read this manual and operate correctly as mentioned.
- You should keep this manual at hand for proper use.

## SPECIFICATIONS

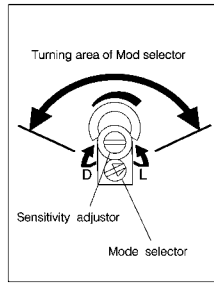
	Through beam	Retro reflection	Diffused reflection	Limited range ref.	Divergent range ref.
Cable type	JT-(S,H)1000(N,P) R	JT-(S,H)1000(N,P)	JR-(S,H)300(N,P)	JD-(S,H)R80(N,P)	JD-(S,H)L03(N,P) · JD-(S,H)W08(N,P) ·
Connector type	JT-(S,H)1000C(N,P) R	JT-(S,H)1000C(N,P)	JR-(S,H)300C(N,P)	JD-(S,H)R80C(N,P)	JD-(S,H)L03C(N,P) · JD-(S,H)W08C(N,P) ·
Detecting distance	10m	3m	80cm	2~5cm	8cm
Supply voltage	DC10~30V Including ripple (P-P) 10%				
Current consumption	Sender : 20mA max. Receiver : 15mA max.	Sender : 25mA max. Receiver : 15mA max.	20mA max.		
Light Source	Red LED	IR LED	Red LED		
Response time	0.5ms max.				
Control output	NPN/PNP Open collector 100mA max./DC30V				
Operation mode	Light ON/Dark ON Selectable by switch				
Sensitivity adjustment	2 turns endless volume with indicator				
Indicator	Out put indicator (orange LED)	Stable indicator (green LED)	Power indicator for Through beam sender (red LED)		
Ambient temp./humidity	-25~55°C / 35~85%RH				
protection category/material	IP67/Case : PBT (glass included) Front cover : PMMA				

## INPUT AND OUTPUT CIRCUIT DIAGRAMS



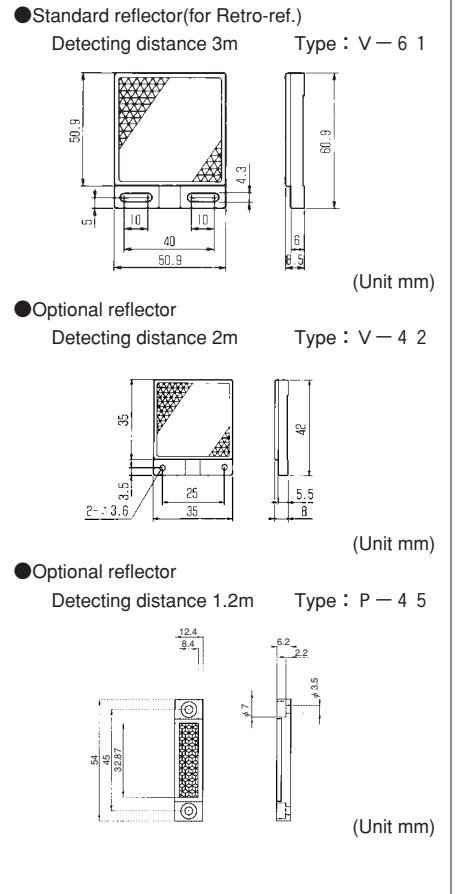
## PRECAUTION

Mode selector should be turned between the stop L (light-on) and D (dark-on). Overturn beyond the stop causes defective operation. Do not leave the volume in the mid-point between the ends.

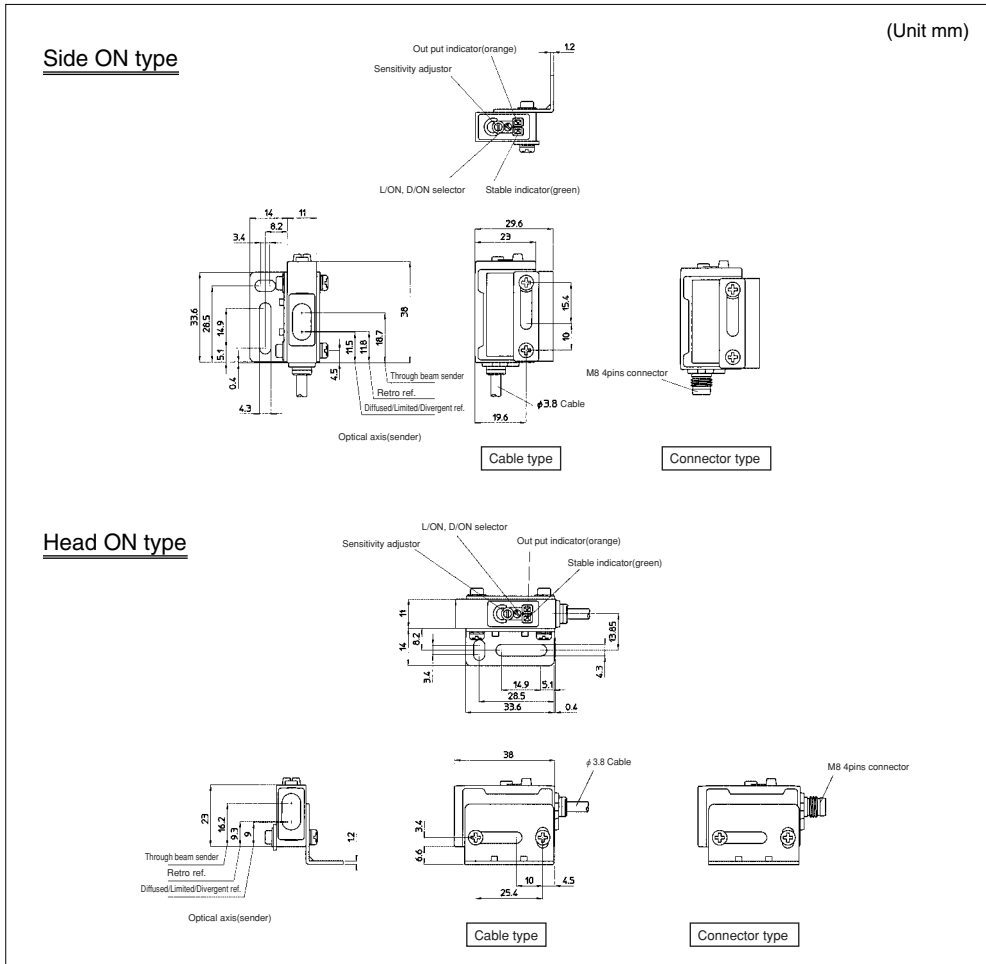


Initial position
Dark ON Through beam.Retro-reflection
Light ON Diffused reflection type

## ACCESSORIES



## DIMENSIONS



⚠ Must not use this item as safety equipment for the purpose of human body protection.

• Specifications and equipment are subject to change without any obligations on the part of manufacture.

• For more information, questions and comments regarding products, please contact us below.

Manufactured and sold by :

**OPTEX FA CO.,LTD.**

607-8085 Kyoto, Yamashina, Takehanadonomaecho 46-1, JAPAN  
Tel: +81-(0)75-594-8123  
Fax: +81-(0)75-594-8124

Website : <http://www.optex-fa.com>