



TECHNICAL SPECIFICATION

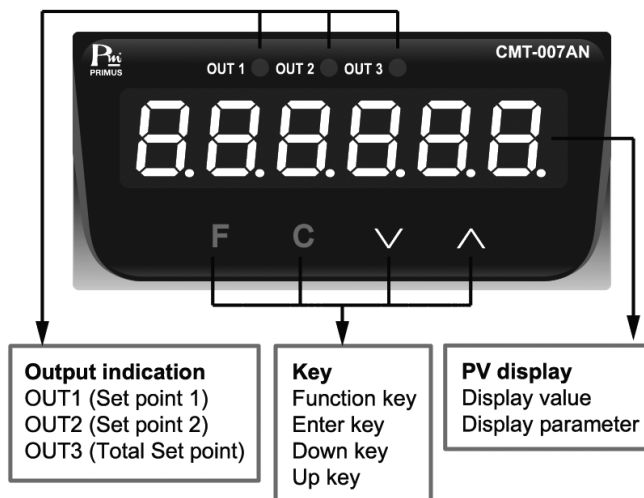
Power Supply		220 VAC ±15% 50/60 Hz
		24 VAC/VDC ±15%
Power Consumption		3VA
Display		7 Segment, 6 Digit, Size 0.56 Inch, 1 Rows
Input	Range Display and Setting	Measurement Range -199999 to 999999
	Input Frequency	0 to 10 kHz
	Input Type	Photoswitch, Proximity, Contact, Encoder , NPN , PNP
	DC Source for Sensor	24 VDC 100 mA
	Decimal Point Setting	0 to 0.00000
	Timer (Input Filter)	0.00 to 10.00 Sec
	Timer Accuracy	±10 ms
	Input Reset	Dry Contact
Output	Relay Output	3 Relay Output 5A/250VAC
Communication	Protocol	MODBUS RTU
	Baud Rate	4800, 9600, 19200, 38400, 57600 bps
	Parity	None, Even, Odd
	Stop Bits	1, 2
	Data Bits	8 Bits
	Address	1-255
Ambient Operation	Temperature	-10 °C to 60 °C
	Humidity	85% RH Non-Condensing
Ambient Storage	Temperature	-20 °C to 80 °C
	Humidity	85% RH Non-Condensing
Protection Degree	Front Protection Rating	IP52
	Case Protection Rating	IP30
Installation		Panel Mounting
Material		ABS-V0
Size (mm.)		48 x 96 x 80
Wiegth		230 g.

DESCRIPTION

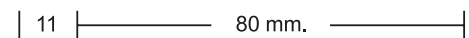
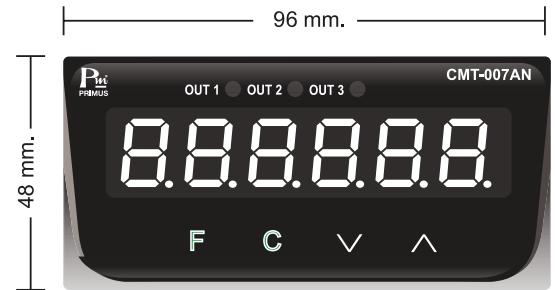
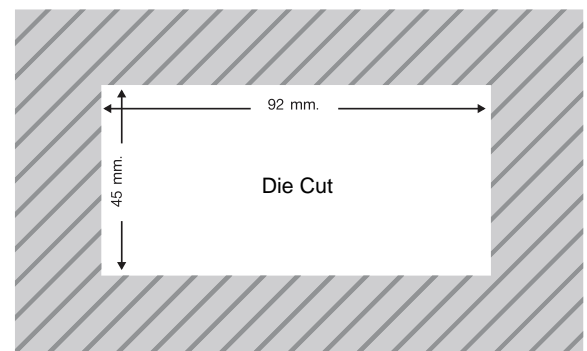
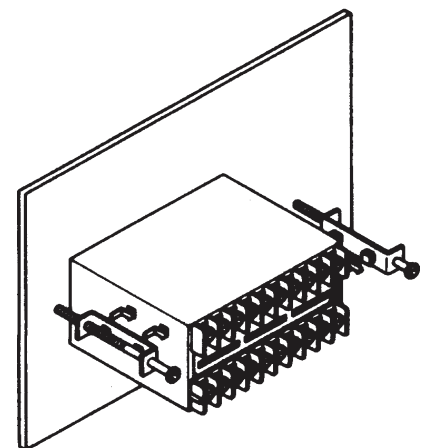
- Digital Counter
- Display by 7-Segment
- Receive Input from sensor device such as Photo Switch, Proximity Switch Encoder, Contact, NPN, PNP
- Operation mode for 11 mode
- Easy to use by program from screen.
- Digital Input (Dry Contact) for Reset values.
- Can communicate with computer via port RS485 MODBUS RTU.

OPERATION

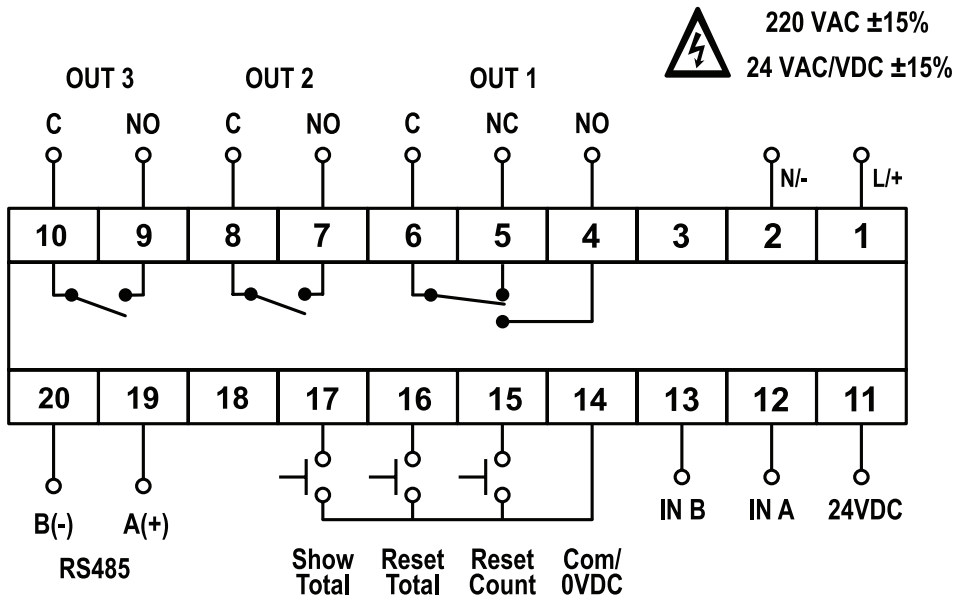
Digital display device for production work in industrial display by 7-Segment in Real Time to control production to be as target. Decrease error or check status of machine status count quantity of goods into stock. It can operate count up and count down. Receive input from sensor devices such as Proximity, Switch, Encoder Mechanical Contact, NPN, PNP can receive input at speed 10kHz. 11 mode operation. There is Shot cut by pressing F button at screen for setting Set Point, Press Down to show Total value, press Up for Reset count value and save counted value by FRAM. can link with Computer or PLC from RS485 and can Monitor, Logging, Edit value.



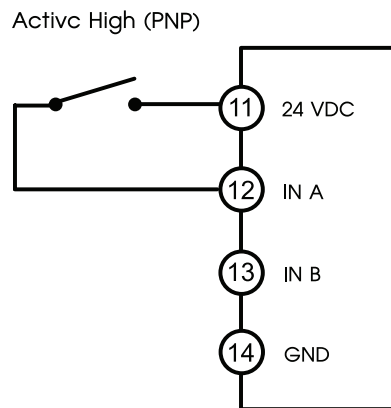
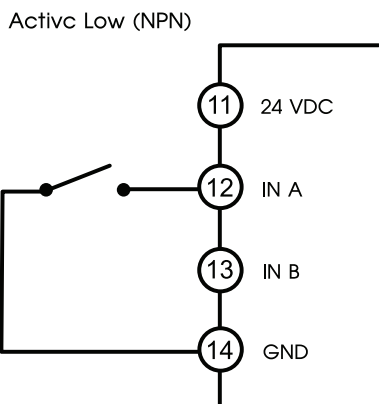
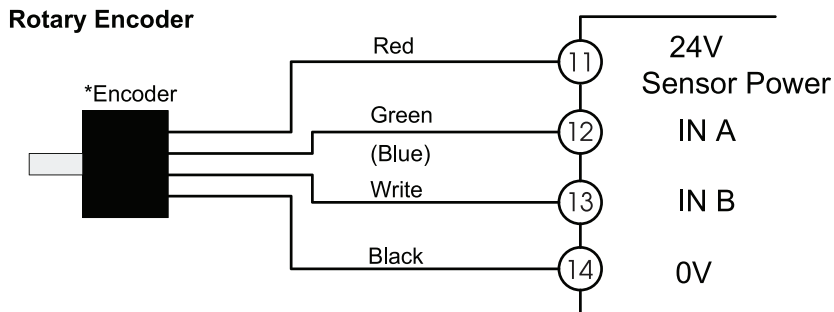
- F Function :** Pressed for approx 3 second to Enter/Exit Menu or pressed once to Exit sub Menu
- Enter :** Pressed the Enter key to access parameters
- Down :** Decrements parameter and function, Reset Count and Total
- Up :** Increments parameter and function, Show Total

DIMENSION

CUTTING AND INSTALLATION


WIRING DIAGRAM



INPUT WIRING EXAMPLES (CONTINUE)



 WARNING	<ul style="list-style-type: none"> • Make sure the correct wiring connection before turning on electricity. Mis-wiring may cause malfunction of the unit and fire. • Never modify the unit to prevent damage or incident such as malfunction and fire etc.
--------------------	--

EXAMPLE

1. Encoder wheel type 100 pulse/round when run complete 1 round will have 0.45 metre. User needs to show in metre unit decimal 2 position.

Calculation

Display value = Pulse from actual counted * Scale

$$0.45 = 100 * \text{Scale} = \text{multiplier/Divisor}$$

Multiplier (Multiplier) = 45, Divisor (Divisor) = 10000, 45/10000

make multiplier, divisor to be simplest form 45/10000 = 9/2000

Setting

Multiplier (Multiplier) = 9, divisor (Divisor) = 2000

Decimal (d.P) = 0.00

Input (Input) = Encoder

2. Production line install Sensor NPN type count product to pack in the boxes. 12 pcs. per box by display quantity of boxes.

Calculation

Display = Pulse from actual counted * Scale.

$$1 = 12 * \text{Scale} = \text{multiplier/divisor}$$

Multiplier (Multiplier) = 1, divisor (Divisor) = 12, 1/12

Setting

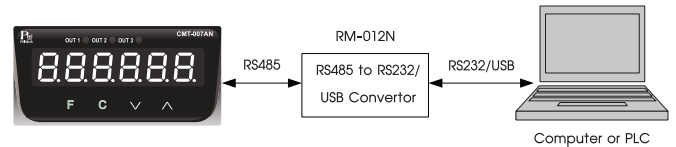
Multiplier (Multiplier) = 1, divisor (Divisor) = 12

Decimal (d.P) = 0

Input (Input) = HI5P d

SERIAL COMMUNICATION

The CMT series are equipped with a RS485 serial communications interface to allow connection to computer or PLC. MODBUS protocol is provided as standard communication. The user can connect CMT series as network up to 255 meters.



MODBUS PROTOCOL This MODBUS Protocol has been implemented in accordance with MODBUS.ORG MODBUS Application Protocol Specification V1.1 With the following conditions applying

The following conditions apply Baudrate must be set for 4800, 9600, 19200, 38400, 57600 bps The format is MODBUS RTU UART data 8 bites, 1 stop bit and no parity Data is considered to be half duplex using 2 wire.

Exception Responses

The following exception codes will be supported only.

01 Illegal function

02 Illegal data address

03 Illegal value

ORDERING CODE
