

DESCRIPTION

- KM-12-A is a device that measures current value. Can display three phase R, S, T simultaneously
- 7-Segment display size 0.56 in 4 digits , 3 rows
- Measurement area
 - : Current: 0.02-10 A (in case of direct connection)
 - : Maximum current of 9999 A (in case of joining with CT)
- Can be combined with CT up to 10,000 / 5A
- High accuracy TRUE RMS measurement.
- Frequency range 45-65 Hz
- LED status indicator and power unit.
- Can communicate with computer via RS-485 port MODBUS RTU PROTOCOL
- Peak Hold to see the maximum current in the system

TECHNICAL SPECIFICATION

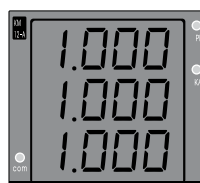
Power Supply	230 VAC ±15% 50-60 Hz	
	115 VAC ±15% 50-60 Hz	
Power Consumption	2.5VA	
Display	7-Segment, Size 0.56 Inch, 4 Digit, 3 Rows	
Input	Current	Connection 3 CT, Direct
	Current (Direct)	0.05 - 10 A
	Ib(Base Current)	5 A
	Current Transformer Ratio	1-2000
	Primary	9999 A
	Secondary	0.2-5 A
	Accuracy Current	±1.0% FS
	Accuracy Frequency	45-65 Hz ±1.0%
Communication	Protocol	MODBUS RTU
	Baud Rate	1200, 2400, 4800, 9600,19200, 38400, 57600 bps
	Parity	None, Even, Odd
	Stop Bits	1, 2
	Data Bits	8 Bits
	Support Device Node	128
Ambient Operation	Temperature	-10 °C to 60 °C
	Humidity	85 % RH Non-Condensing
Ambient Storage	Temperature	-20 °C to 80 °C
	Humidity	85 % RH Non-Condensing
Protection Degree	Front Protection Rating	IP52
	Case Protection Rating	IP30
Installation	Panel Mounting	
Material	ABS-V0	
Size	96 x 96 x 76.6 mm.	
Weight	465 g.	

OPERATION

The display will have a 3-Page display of current measured value, Hz, and Peak Amp Avg. Peak Amp is calculated as an average of 15 minutes with the arrow keys. The current value is displayed and when the down arrow is displayed, the Peak Amp is displayed. On Peak Amp display, the Peak LED will blink while displaying.

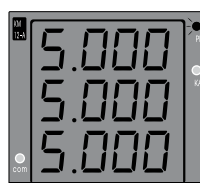
For Com LED (Communication) Used in Models with Option and Com LED (Communication) will flash every time there is communication

Display Amp (Key \uparrow)



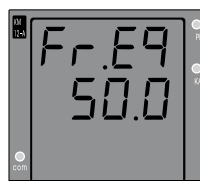
Display Amp Phase 1,2,3

Display Peak Volt (Key \downarrow)



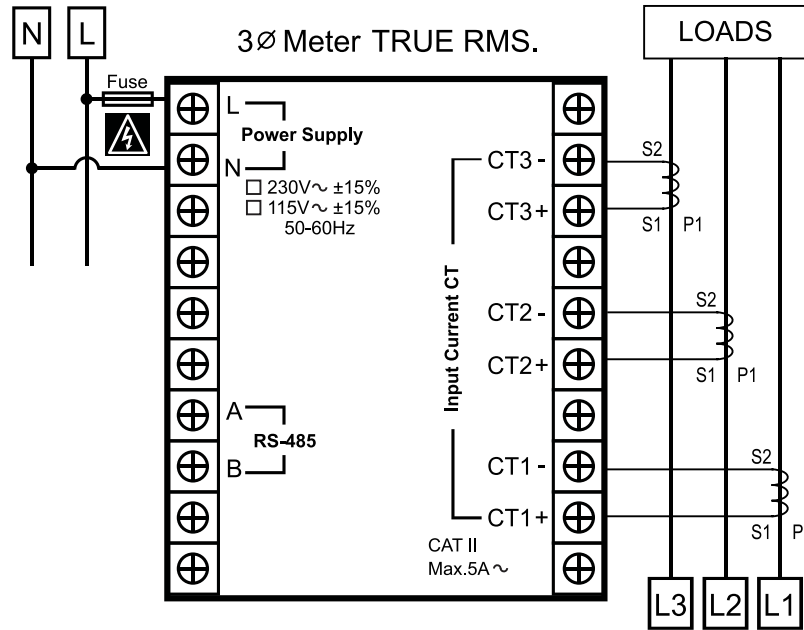
Display Peak Amp

Display Hz (Key \downarrow)



Display Hz

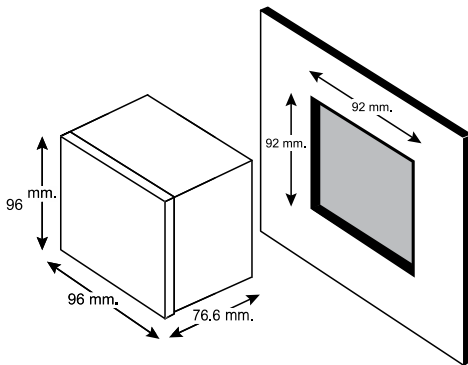
WIRING DIAGRAM



WARNING

- Make sure the correct wiring connection before turning on electricity. Mis-wiring may cause malfunction of the unit and fire.
- Never modify the unit to prevent damage or incident such as malfunction and fire etc.

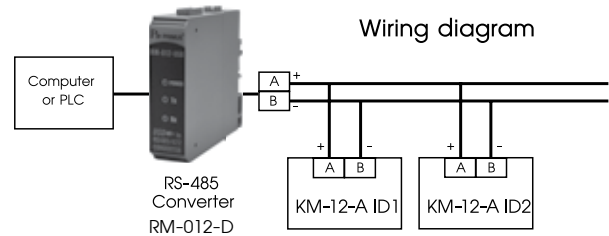
DIMENSION



SERIAL COMMUNICATIONS

KM-12-A can read parameter values measured in real time with the system BUS RS-485 by PROTOCOL. Communication is MODBUS RTU Mode.

A set of commands that can be used with the Meter



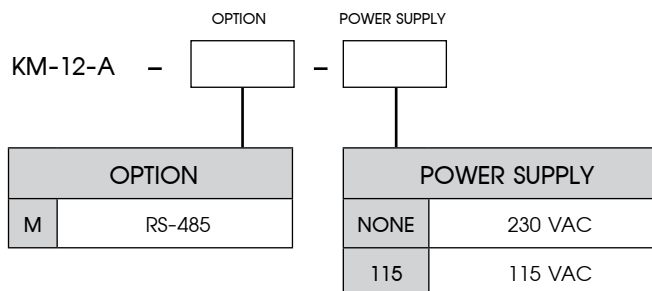
0x03 : Read Holding register

0x04 : Read Input register

0x06 : Preset Single register

0x10 : Preset multi register

ORDERING CODE



Example: KM-12-A-M refers to the current measured in Amp and has RS-485