

DESCRIPTION

- MR-N SERIES is the automatic ON-OFF control for lighting inside building, office etc.
- Can detect light intensity and movement.
- Can detect 360°
- Can delay the operation 8 Sec - 5 Min.
- Suite to install on room ceiling.

OPERATION

MR-SERIES is the device controls automatic ON-OFF lighting inside building, office, residence etc. User can choose automatic switch when light volume less than doesn't enough from setting and delay time to turn on light since 8 Sec - 5Min. Detection degree is 360° with small and compact size. Easy to install by designed for suitable installing on ceiling.

MR-01N : can control turn on - off automatically by use the light illuminate detection when light has less more than setting value it will make switch "ON".

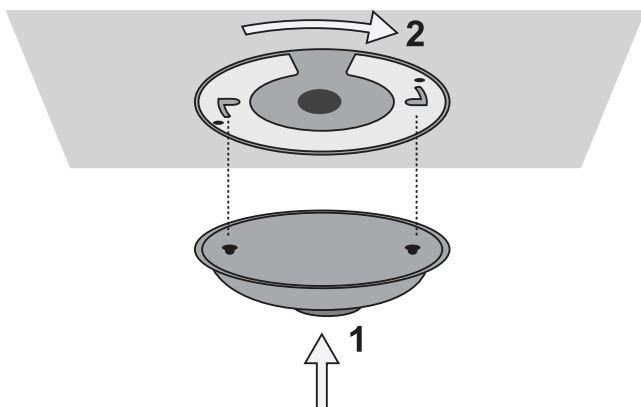
MR-02N : can control turn on - off automatically by use the light illuminate and movement detection when light has less more than setting value and has movement it will made switch "ON". It will save energy and cost that may increase from turn the light on all the time.

MR-03N : can control turn on - off automatically by use the light illuminate and movement detection. The movement will make switch "ON". it will save energy and cost that may increase from turn the light all the time.

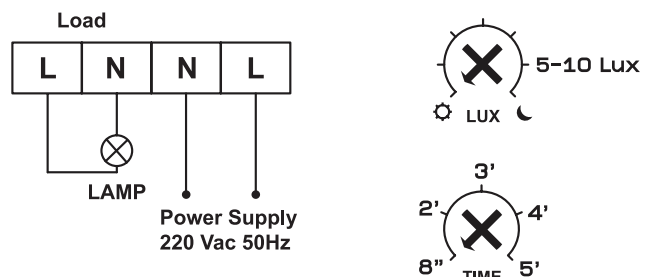
TECHNICAL SPECIFICATION

Power Supply	220 VAC ±15%, 50/60 Hz
Load Incandescent Bulb	1000 W
Load Halogen Lamp	500 W
Load Fluorescent Lamps	200 VA
Load LED Lamp	150 W
Power Consumption	1 VA
Infraned Sensor	Detectable 360°C
Delay Time	About 8 Sec-5 Min
Detecting Speed	0.1~3.0 m/sec
Operation Temperature	-10°C~60°C
Material	ABS-VO
Size (mm.)	Ø112
Weight	200g.

OPERATION



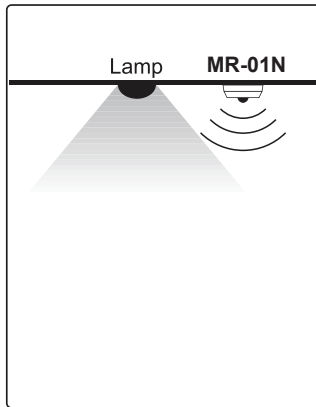
WIRING DIAGRAM



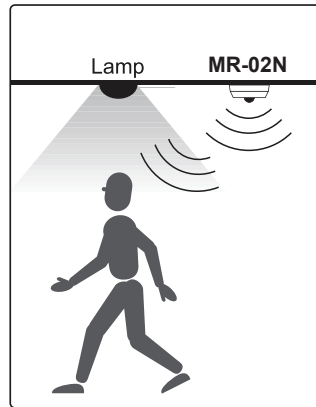
- Make sure the correct wiring connection before turning on electricity. Mis-wiring may cause malfunction of the unit and fire.
- Never modify the unit to prevent damage or incident such as malfunction and fire etc.

DETECTION MODEL

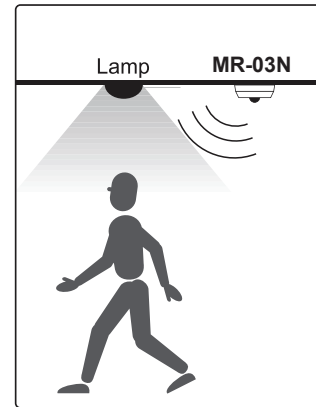
MR-01N Light Sensor



MR-02N Light & Motion Sensor

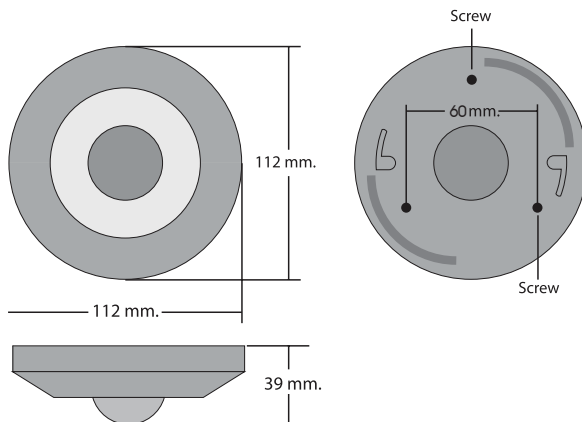


MR-03N Motion Sensor



Detection Range	2m
Coverage (Diameter)	3m
Detection angle	360°

DIMENSION



ORDER CODE

MR-	
01N	Light Sensor
02N	Motion & Light Sensor
03N	Motion Sensor