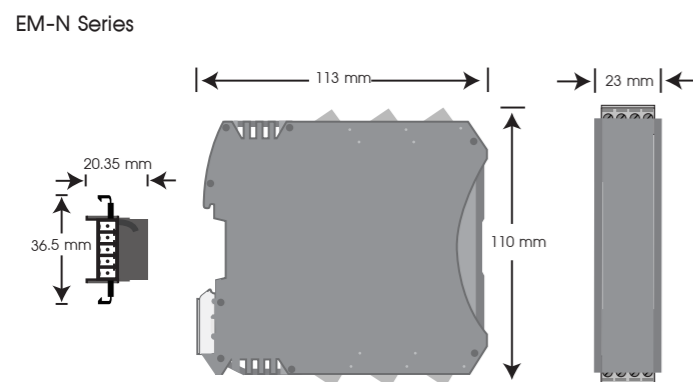




TECHNICAL SPECIFICATION

Model	EM-N Series	
Power Supply	100-250 VAC / 50-60 Hz	
	12-24 VDC	
Power Consumption	4 VA Max.	
Input	Channel	1 Input Channel
	Thermocouple	Type K, J, R, T, N, S, E
	RTD	PT100
	Resistance	0-100 Ohm, 0-1kOhm, 0-10kOhm, 0-100kOhm
	DC Current	0-20 mA, 4-20 mA, 0-100 mA
	AC Current	0-5 A
	DC Voltage	0-75 mV, 0-150 mV, 0-1 V, 0-10 V, 0-500 V
	AC Voltage	0 - 5VAC, 0-500 VAC
	Sampling Time	250 mS
	Output	Channel
Analog Output		4-20 mA Maximum 500 Ohm
		0-10 VDC Minimum 1 kOhm
Accuracy	± 0.2% F.S	
Ambient Operation	Temperature	-10 °C to 60 °C
	Humidity	<85% RH Non-Condensing
Storage	Temperature	-20 °C to 80 °C
	Humidity	<85% RH Non-Condensing
Protection Degree	IP20	
Installation	DIN RAIL	
Material	ABS-V0	
Size	23 x 113 x 110 mm.	
Weight	150 g.	

DIMENSION



DESCRIPTION

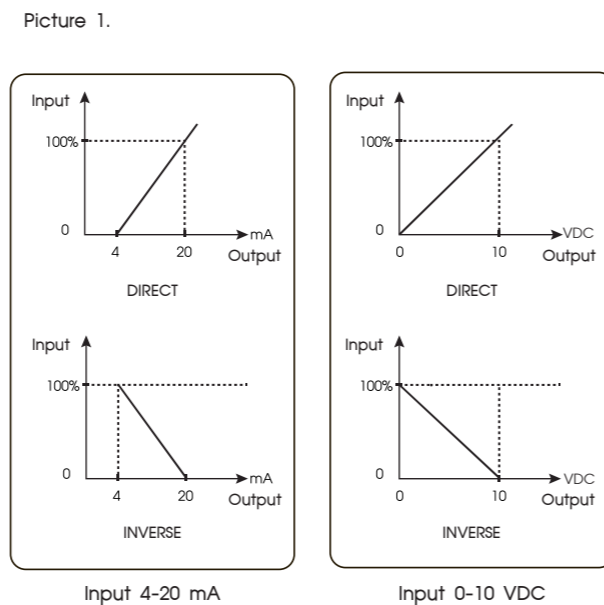
- The device convert the electrical signal to the standard analog signal.
- Receive Input AC/DC Current, AC/DC Voltage, Resistance and Multi Input for Thermocouple, PT100 (RTD).
- 4-20 mA, 0-10 VDC Standard analog output signal.
- Input and Output are isolation separate from each other.
- Maximum Output 2 Outputs.
- DIN RAIL Mounting installation.
- LED show voltage supply.

OPERATION

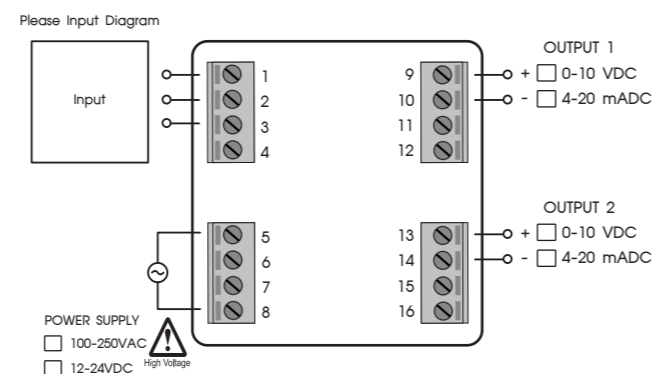
EM-N-Series convert the input signal to standard analog 4-20mA or 0-10 VDC by input and output separate ground from each other. The user can bring the output signal connect with the measure instruments. The user can choose to purchase output both of Direct and Inverse signals.

- Direct : Input directly variable with output.
- Inverse : Input Inverse variation with output.

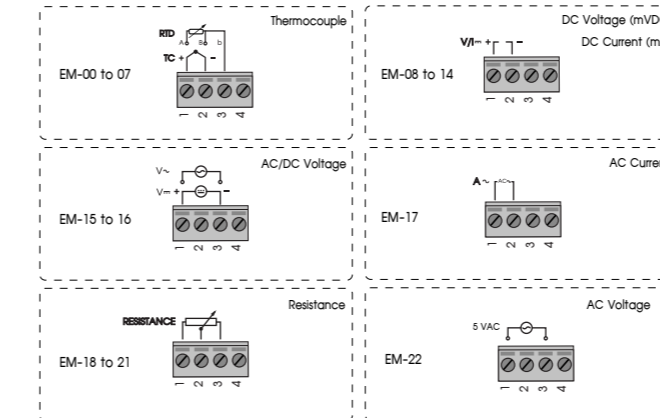
Output Analog Signal characteristics show as graph (1)



WIRING DIAGRAM



Input Diagram



Output Diagram

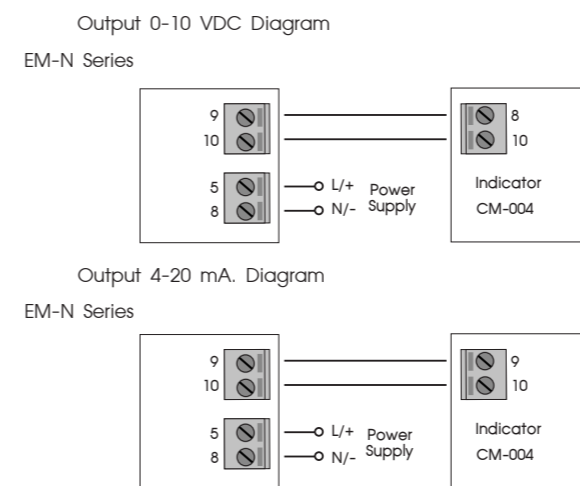


TABLE 1 SELECT INPUT SENSOR

Code I	Input Type	Instrument Input Range
00	Thermocouple Type K	-200 to 1372 °C
01	Thermocouple Type J	- 200 to 1200 °C
02	Thermocouple Type R	- 50 to 1680 °C
03	Thermocouple Type T	- 200 to 400 °C
04	Thermocouple Type N	- 200 to 1300 °C
05	Thermocouple Type S	- 50 to 1768 °C
06	Thermocouple Type E	- 200 to 1000 °C
07	PT100	- 200 to 680 °C
08	0-20 mA	0 to 20 mA
09	4-20 mA	4 to 20 mA
10	0-100 mA	0 to 100 mA
11	0-75 mVDC	0 to 75 mVDC
12	0-150 mVDC	0 to 150 mVDC
13	0-1 VDC	0 to 1 VDC
14	0-10 VDC	0 to 10 VDC
15	0-500 VDC	0 to 500 VDC
16	0-500 VAC	0 to 500 VAC
17	0-5 A.AC	0 to 5 A.AC
18	0-100Ω	0 to 100Ω
19	0-1 kΩ	0 to 1 kΩ
20	0-10 kΩ	0 to 10 kΩ
21	0-100 kΩ	0 to 100 kΩ
22	0 - 5 VAC	0 to 5 VAC

ORDERING CODE

EM - [] - N - [] - [] - [] - For Special Range

Input	Output 1	Output 2	Power Supply
XX Select Table 1.	0 None	0 None	24 12-24 VDC
	G 0-10 VDC	G 0-10 VDC	220 100-250 VAC
	I 4-20 mA	I 4-20 mA	
	V 10-0 VDC (Inverse)	V 10-0 VDC (Inverse)	
	C 20-4 mA (Inverse)	C 20-4 mA (Inverse)	

Remark

- XX For Fixed Input (Select Order Code 1)



บริษัท โพรมัส จำกัด
119 ซ.สีม่วงอนุสรณ์ ถ.สุทธิสารวินิจฉัย แขวงดินแดง เขตดินแดง กรุงเทพฯ 10400
โทร 0-2693-7005, 0-2277-8027 แฟกซ์ 0-2277-3565
E-mail : sales@primusthai.com