

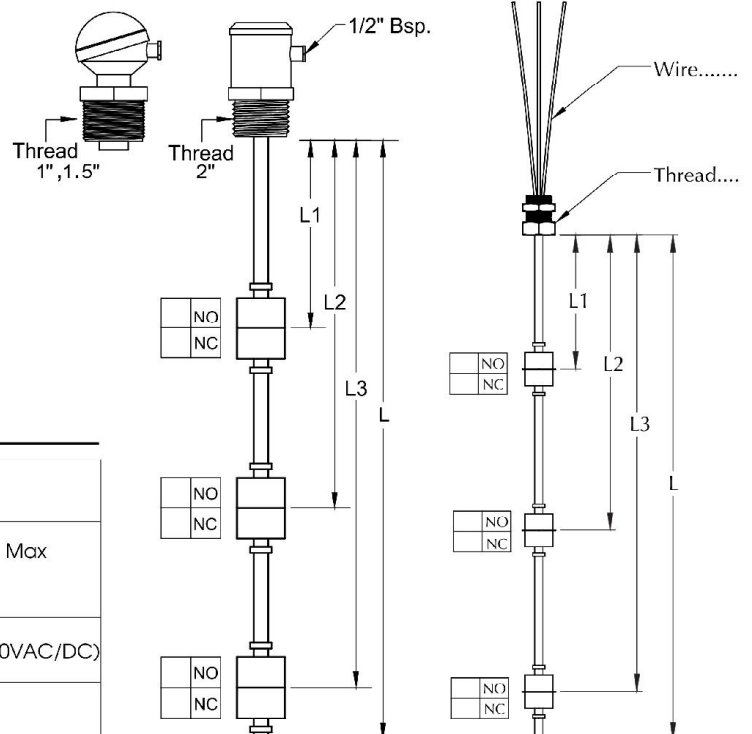
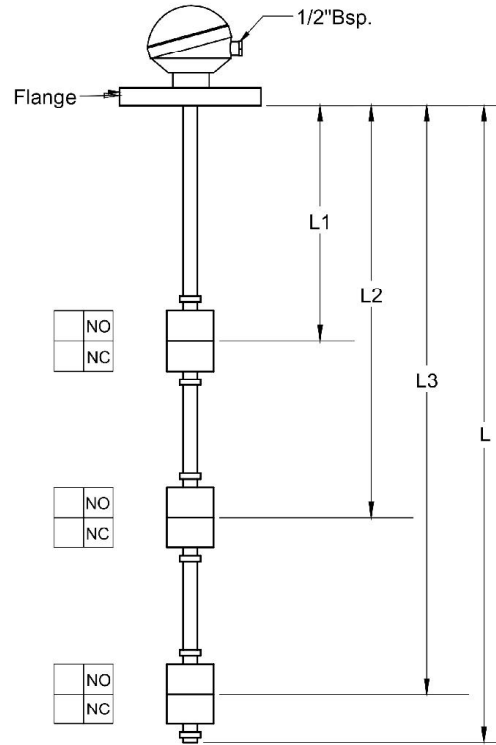
Big Head

Head

DESCRIPTION

LP - 04 is a float switch that detects liquid level by changing the contact status of the NO/ NC contacts when the float is moving. Up-down by liquid level. Available in both thread and flange mounting. Up to 5 work points can be selected or 5 levels, the output is equal to the float number, making the LP- 04 a multi-level liquid level measurement

DIMENSION



TECHNICAL SPECIFICATION

Output Relay	SPST
Voltage	Max. 400 VAC/DC for Float Type DO Max Voltage 30VAC/DC)
Current	Max. 1 A (400VAC/DC) , Max 0.2A (30VAC/DC)
Material	SUS304, SUS316

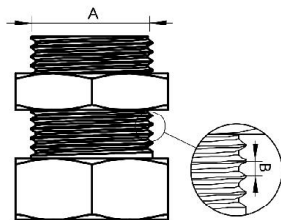
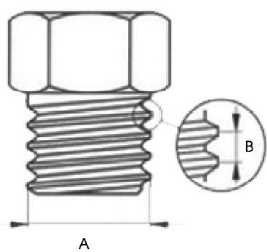
FLOAT SWITCH SELECTION TABLE

รุ่น	D0	D1	D2	D3	FLOAT SWITCH OICTURE
Size AxBxC (mm.)	28x28x10 mm.	44x51x15 mm.	52x51x15 mm.	74x74x19 mm.	
Shape	cylinder	cylinder	Sphere	Sphere	
Operating Maximum Temperature	80 °C	120 °C	120 °C	120 °C	
Thread size (BSP)	1", 1.5", 2", 3"	1", 1.5", 2", 3"	2", 3"	3"	
Flange size (STANDARD JIS 10K)	3/4", 1", 2", 3"	2", 3"	2", 3"	3"	
Supine Thread size (BSP)	1/8", 1/4", 3/8", 1/2", 3/4, 1"	1/4", 3/8", 1/2", 3/4", 1"	1/4", 3/8", 1/2", 3/4", 1"	1/2", 3/4", 1"	

● Thread size (BSP)

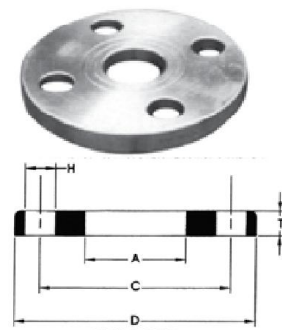
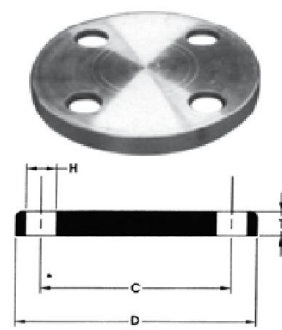
● Supine Thread size (BSP)

● Flange size JIS 10K



Flange size	A	B
	Thread Bulk (mm.)	Thread Gap (G)
1"	32.5-33.2 mm.	11G
1.5"	44.8-47.8 mm.	11G
2"	59.3-59.6 mm.	11G
3"	84.9-87.8 mm.	11G

Flange size	A	B
	Thread Bulk (mm.)	Thread Gap (G)
1/8"	9.5 mm.	28G
1/4"	12.7 mm.	19G
3/8"	16 mm.	19G
1/2"	21 mm.	14G
3/4"	26 mm.	14G
1"	32 mm.	11G



Dimension

Nominal Pipe Size	Inside Dia.	Outside Dia.	Bolt Circle	Thickness	Drilling	Weight (Kg)			
Inch	mm	A	D	T	H	N	Flat Face	Blind	
3/4	20	28.0	100.0	75	14	15	4	0.74	0.80
1	25	34.5	125.0	90	14	19	4	1.20	1.40
2	50	61.5	155.0	120	16	19	4	1.90	2.30
3	80	90.5	185	150	18	19	8	2.65	3.60

ORDERING CODE

***หมายเหตุ : ขนาดหน้าแปลนมีแบบ JIS 5k, JIS 20k

LP-04- - - - -

Flange installation	
NA	None Head
A	3/4" JIS 10K (Head)
1A	1" JIS 10K (Head) PM)
2A	2" JIS 10K (Head PM)
3A	3" JIS 10K (Head)
Thread installation	
1B	1" BSP (Head)
1.5B	1.5" BSP (Head)
2B	2" BSP (Head PM)
3B	3" BSP (Head)

Size Float Switch	
D0	cylinder 28x28x10 mm.
D1	cylinder 44x51x15 mm.
D2	Sphere 52x51x15 mm.
D3	Sphere 74x74x19 mm.

Float Switch no.	
1	1 Float
2	2 Float
3	3 Float
4	4 Float
5	5 ลูก (Max)

Tube Length (L) (mm.)	
Can specify the length of the axis as you want ***maximum 6000 mm.	
Material	
NONE	SUS 304
A	SUS 316

Remark:

- Please specify the distance of each float switch, for example.
- L1 = 100mm., L2 = 200 Mm Etc.
- For float switch sizes 28 x 28 x 10 mm. Upto 4 maximum float switches can be used (Common share)