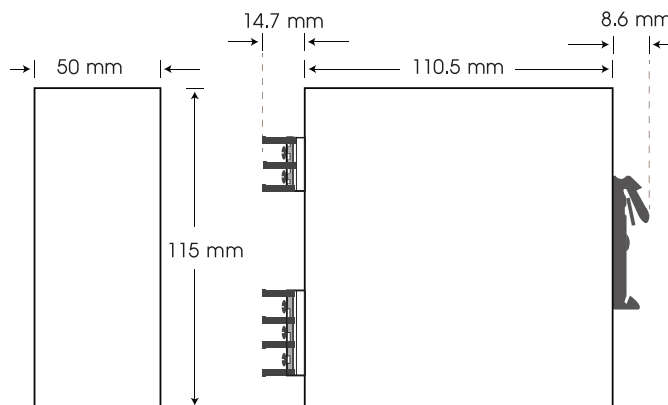




- 24 VDC
- 5A
- 120W

■ DIMENSION



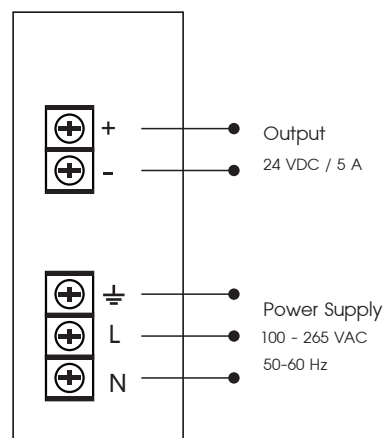
■ TECHNICAL SPECIFICATION

INPUT TECHNICAL DATA	
Input Rated Voltage	100 -265 VAC
Frequency	50-60 Hz
Inrush Peak Current	< 10A
Power Factor (p.f.)	> 0.65
Internal Protection Fuse	5 A Replaceable
OUTPUT TECHNICAL DATA	
Output Rated Voltage	24 VDC
Output Adjustable Range	23...27.5VDC
Output Rated Current	5A @55 °C
Over Current Protection	8 A for >30 s With 90% Un
Short Circuit Peak Current	15 A for 50 ms
Overload/Short Circuit Protections	Pick-Up at the Overload limit With Auto Reset / Over Temperature Protection
Status Display	"DC OK" Red LED
GENERAL TECHNICAL DATA	
Efficiency (Uin 120/230VAC)	>86% / >90%
Power Consumption (Uin 120 / 230 VAC)	19 VA / 13 VA
Input/Output Isolation	3 kVac / 60 s SELV Output
Input/Ground Isolation	1.5 kVac / 60s
Output/Ground Isolation	0.5 kVac / 60s
Ambient Operation	Temperature -20 °C to 60 °C, with Derating 45 °C Humidity Over Temperature Protection
Ambient Storage	Temperature -20 °C to 80 °C Humidity 85 % RH Non-Condensing
Protection Degree	IP 20
Connection Terminal	2.5 mm ² Pluggable Screw Type
Installation	DIN RAIL Mounting
Housing Material	Aluminium
Size (mm.)	50 x 115 x 110.5
Weight	400 g.

■ DESCRIPTION

- Input Voltage 100-265 VAC 50-60 Hz
- Output 120 W (24 VDC, 5 A)
- Short Circuit, Overload, Over Temperature Protection
- Small Size
- DIN RAIL Installation
- Suitable with the application that need SELV and PELV
 - SELV = Safety Extra Low Voltage
 - PELV = Protective Extra Low Voltage

■ WIRING DIAGRAM



■ ORDERING CODE

PM-024S-5



PM-024S-5

บริษัท ไพรมัส จำกัด
119 ซ.สีม่วงอนุสรณ์ ถ.สุทธิสารวินิจฉัย แขวงดินแดง
เขตดินแดง กรุงเทพฯ 10400
โทร 0-2693-7005, 0-2277-8027 แฟกซ์ 0-2277-3565
E-mail : sales@primusthai.com