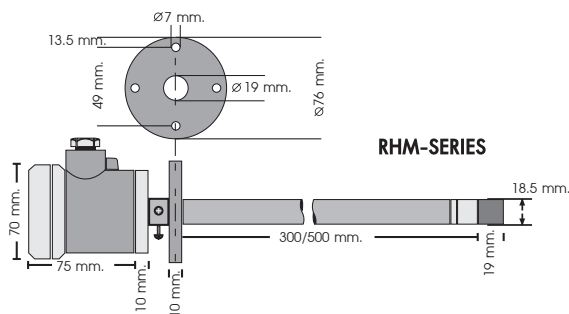




TECHNICAL SPECIFICATION

Model	RHM-00X-00,01	
Power Supply	15-30VDC	
Power Consumption	<1 VA	
Input	Humidity	0-100% RH
	Temperature	0-100 °C
	Accuracy Humidity	± 3% RH (0 - 80% RH)
	Accuracy Temperature	± 1 °C (0 - 60 °C)
	Long-term Drift Humidity	< 0.3% RH/yr
	Long-term Drift Temperature	< 0.04 °C/yr
Output	DC current	4-20 mA Maximum 500 Ohm
	DC voltage	0-10 VDC Minimum 1 kOhm
RS-485 Communication	Protocol	Modbus RTU
	Baud Rate	4800, 9600, 19200, 38400 bps
	Parity	None, Odd, Even
	Stop Bits	1, 2
	Data Bits	8 Bits
	Address	1-63
Ambient Operation	Temperature	-10 °C to 60 °C
	Humidity	<85% RH Non-Condensing
Ambient Storage	Temperature	-20 °C to 80 °C
	Humidity	<85% RH Non-Condensing
Protection Degree	IP65	
Installation	Screw	
Material	Housing	Aluminium and Stanless
	Filter Head	Metal Sintered(150 °C)
Size	Core 300 x Ø19 mm.	
Weight	770 g.	

DIMENSION



DESCRIPTION

- Temperature and Humidity measurement in one device. It converts temperature and humidity signal to standard electrical signal (Output).
 - DC Current 4-20 mA.
 - DC Voltage 0-10 VDC
 - RS-485 (Protocol RTU Modbus)
 - Baud Rate : 4800, 9600, 19200, 38400 bps
- Temperature measure range 0-100 °C.
- Humidity measure range 0-100% RH.
- Probe tube has long tube 2 size (Probe tube made from Stainless)
 - Tube Length 300 mm.
 - Tube Length 500 mm.
- Suitable to install for measuring temperature and humidity inside the oven temperature to 100 °C, Sterilizer tank, Dehumidifier tank etc. We will drill a hole embed the probe inside the cabinet or tank and the head part will be outside which has electronics circuit inside. It made the user can use in oven that has high temperature.
- There is Silicon Carbonate at the end of the probe for protect the dust and it has flange for installation.

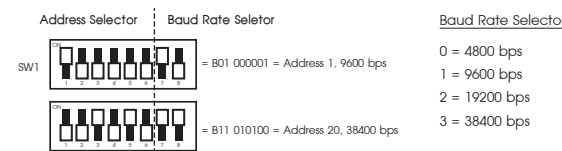
WIRING DIAGRAM

<p>RHM - 004 - 00</p> <p>1 : + Supply 15-30 VDC</p> <p>2 : -</p> <p>3 : - Common Output</p> <p>4 : + Humidity (0-10 VDC)</p> <p>5 : + Temperature (0-10 VDC)</p>	<p>RHM - 004 - 01</p> <p>1 : + Supply 15-30 VDC</p> <p>2 : -</p> <p>3 : - COM/GND</p> <p>4 : +Humidity 0-100% RH (0-10 VDC)</p>	<p>RHM - 005 - 00</p> <p>1 : + Supply 15-30 VDC</p> <p>2 : -</p> <p>3 : - COM/GND</p> <p>4 : + Humidity 0-100% RH (4-20 mA)</p> <p>5 : + Temp 0-100 °C (4-20 mA)</p>	<p>RHM - 005 - 01</p> <p>1 : + Supply 15-30 VDC</p> <p>2 : -</p> <p>3 : - COM/GND</p> <p>4 : + Humidity 0-100% RH (4-20 mA)</p>	<p>RHM - 006 - 00</p> <p>1 : + Supply 15-30 VDC</p> <p>2 : -</p> <p>3 : B RS-485</p> <p>4 : A</p>
---	--	---	--	--

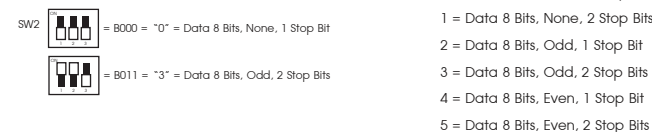
ADDRESS AND COMMUNICATION SETTING FOR RHM-006

Address Setting

By first of 6 bits will be Address Selector and 2 bits later will be Baud Rate Selector



Communication Setting



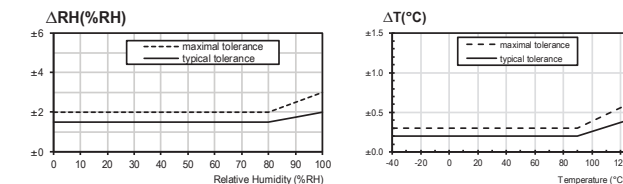
Modbus Table

Address	Contents	Format	Word	Byt	Access
0	% RH _{reg}	Signed int	1	2	Read Only
1	Temp _{reg}	Signed int	1	2	Read Only
2	Dew Point _{reg}	Signed int	1	2	Read Only
3	Slave Address _{reg}	Unsigned int	1	2	Read Only
4	Baud rate _{reg}	Unsigned int	1	2	Read Only
5	Communication _{reg}	Unsigned int	1	2	Read Only

Modbus Function code

Function code	Operation	Broadcast
0x03	Read Holding Registers	Yes
0x04	Read Multiple Registers	Yes

Accuracy graph



ORDERING CODE

RHM - [] - [] - [] ([] mm.)

Output	Signal Input	Probe Length
004 DC Voltage : 0 - 10 VDC	00 Humidity & Temperature	3 300 mm.
005 DC Current : 4 - 20 mA	01 Humidity	5 500 mm.
006 Modbus RS-485		S Special Range

* 006 can select Input 00 only

* Fill Range in ([] mm.)



บริษัท โพรมัส จำกัด
 119 ซ.สีมางอนุสรณ์ อ.สุทธิสารวินิจฉัย แขวงดินแดง เขตดินแดง กรุงเทพฯ 10400
 โทร 0-2693-7005, 0-2277-8027 แฟกซ์ 0-2277-3565
 E-mail : sales@primusthai.com