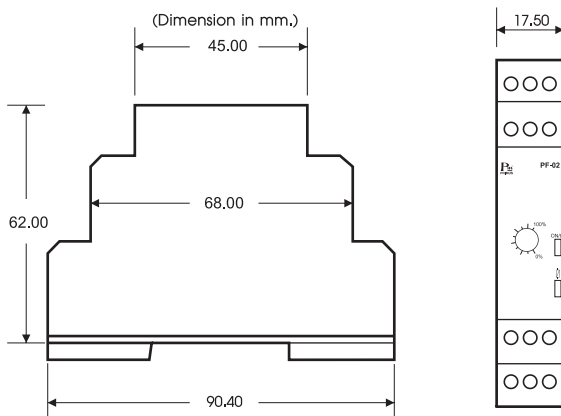




TECHNICAL SPECIFICATION

Power Supply	18 - 350 VDC / 50 - 500 VAC
Power Consumption	< 3VA
Time setting	Time Range PF-02 0.3-30 sec, 1-120 sec, 9 sec -16 Min, 1 min-2 Hr
	Time Range PF-02-1 0.025-1 sec, 0.1-4 sec, 1-30 sec, 6.4-265 sec
Output	Relay Output Type 1 Form C (SPDT)
	Maximum Rating 5A 250VAC / 5A 30VDC
Ambient Operation	Temperature -10 °C to 60 °C
	Humidity <85% RH Non-Condensing
Ambient Storage	Temperature -20 °C to 80 °C
	Humidity <85% RH Non-Condensing
Protection Degree	IP20
Installation	DIN RAIL Mounted
Material	ABS-V0 (UL-94 V0)
Size	60 x 17.50 x 90.40 mm.
Weight	62 g.

DIMENSION

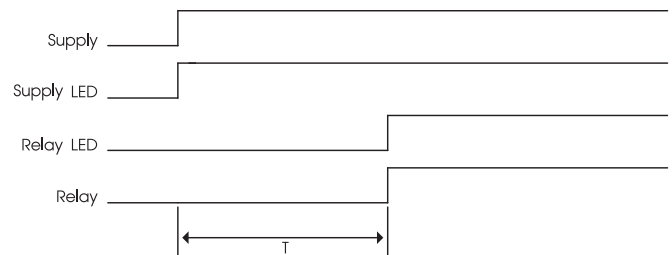


DESCRIPTION

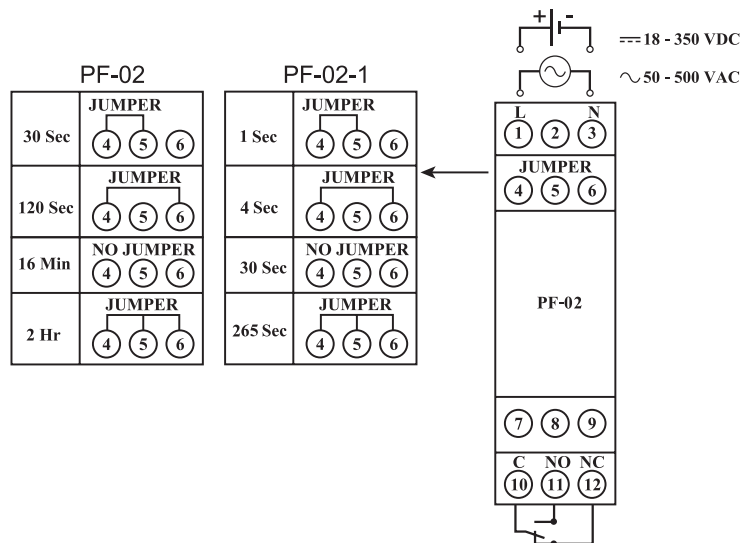
- Timer to delay time before operate Range 30 Sec., 120 Sec., 16 Minute, 2 Hour(PF-02), 1 Sec, 4 Sec, 30 Sec, 256 Sec (PF-02-1)
- Able to use AC and DC Supply.
- Small and Compact Size.
- Relay LED will ON when Relay operate.

OPERATION

When the user supply power to PF-02. It will delay time before operate depend on time from setting. When the time has complete then Relay Output will operate. PF-02-Series is able to choose the operation mode. There are 4 operation mode in one product i.e. 30 sec, 120 sec, 16 Minute, 2 Hour (PF-0), 1 Sec, 4Sec, 30 Sec, 256 Sec(PF-02-1), by connect Jumper.



WIRING DIAGRAM



WARNING

- Make sure the correct wiring connection before turning on electricity. Mis-wiring may cause malfunction of the unit and fire.
- Never modify the unit to prevent damage or incident such as malfunction and fire etc.

ORDERING CODE

PF -02- []

TIMER RANGE

TIMER RANGE	
None	30 sec - 2 Hr
1	1 sec - 265 sec