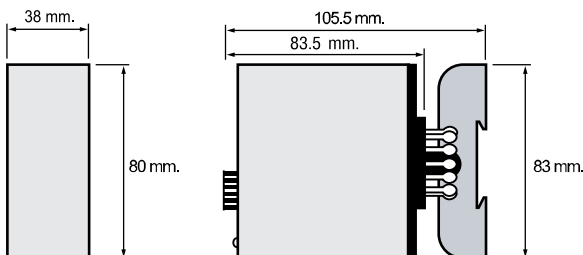
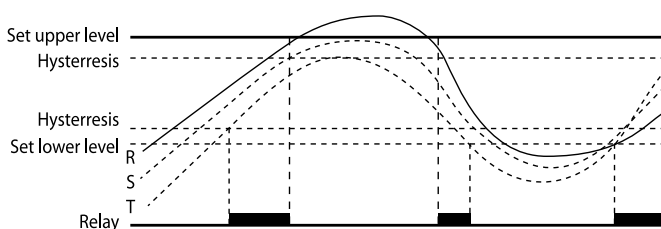




Socket


**TECHNICAL SPECIFICATION**

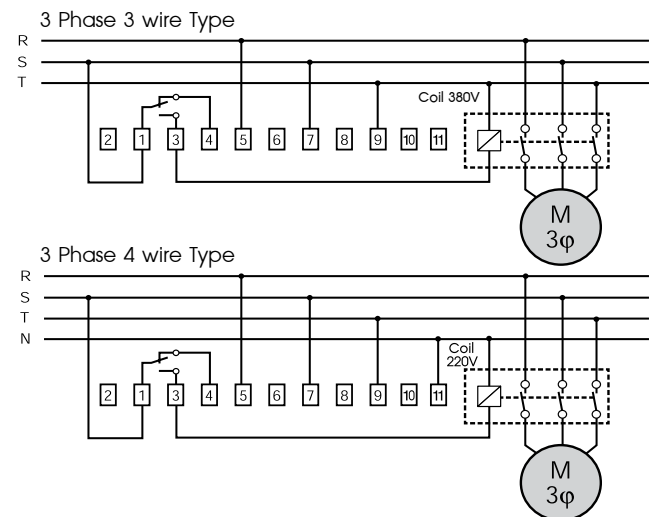
Model.		PM-019	PM-019N
Power Supply		3 Phase 3 Wire	3 Phase 4 Wire
		110, 220, 380, 400VAC ±10% 50/60 Hz	
Power Consumption		2.5 VA	
Display		Red LED (Under Voltage / Relay OFF)	
		Red LED (Over Voltage / Relay OFF)	
		Green LED (Relay ON)	
Input	Scale	Over Voltage Scale 105 to 120% Volt	
	Adjustment	Under Voltage Scale 80 to 95% Volt	
	Hysteresis	2VAC	
	Accuracy	±2VAC	
Output	Relay Output	1 Relay Output 10A 250VAC	
Ambient Operation	Temperature	-10°C to 60°C	
	Humidity	85 % RH Non-Condensing	
Ambient Storage	Temperature	-20°C to 80°C	
	Humidity	85 % RH Non-Condensing	
Protection Degree		IP40	
Installation		DIN RAIL Mounting	
Material		ABS-V0	
Size		38 x 80 x 83.5 mm.	
Weight		210g.	

**DIMENSION**

**OPERATING GRAPH**

**DESCRIPTION**

- Relays for under/over voltage protection for each of phases
- Over/under voltage can be set using the adjustable knob.
- There is a button to separate the voltage drop between 80 to 95% and the overvoltage between 105 and 120%
- Protect phase loss in one phase or more than one phase. Even if there is back light from the motor (back e.m.f.) while the motor is empty.
- LED display of relay status
- In case model PM-019N (3-phase, 4-wire) if the neutron is missing, Relay will not work.

**OPERATION**

When connecting the PM-019 to the 3-phase power system when the voltage is present normal (no more than UL set and not lower than set LL) . voltage active all phase Relay contact will work to connect the circuit to load. The LED indicates that the relay is working. If the voltage falls or the power is over and the phase is missing. The relay contact will stop working to cut out the circuit and the LED will go off.

**WIRING DIAGRAM**

**ORDERING CODE**

Electrical System		
PM-019	3 Phase 3 Wire	[Wiring Diagram]
PM-019N	3 Phase 4 Wire	
Power Supply		
110 VAC	3 x 110 VAC	
220 VAC	3 x 220 VAC	
380 VAC	3 x 380 VAC	
400 VAC	3 x 400 VAC	