



PMV12.00



PMV25C.01



PMV30.00A/PMV30.00P



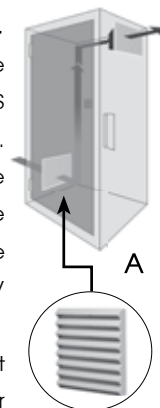
PMV30.05A/PMV30.05P

DESCRIPTION

- Cooling fan for electric cabinet with Filter to filter the dust into the electric cabinet.
- Save time in maintenance of the electrical cabinet due to the dust filter. Easy to remove
- Reduce the temperature inside the cabinet
- There are many models to choose from appropriation

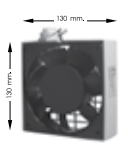
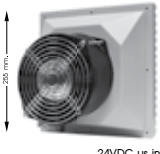


GENERAL DESCRIPTION

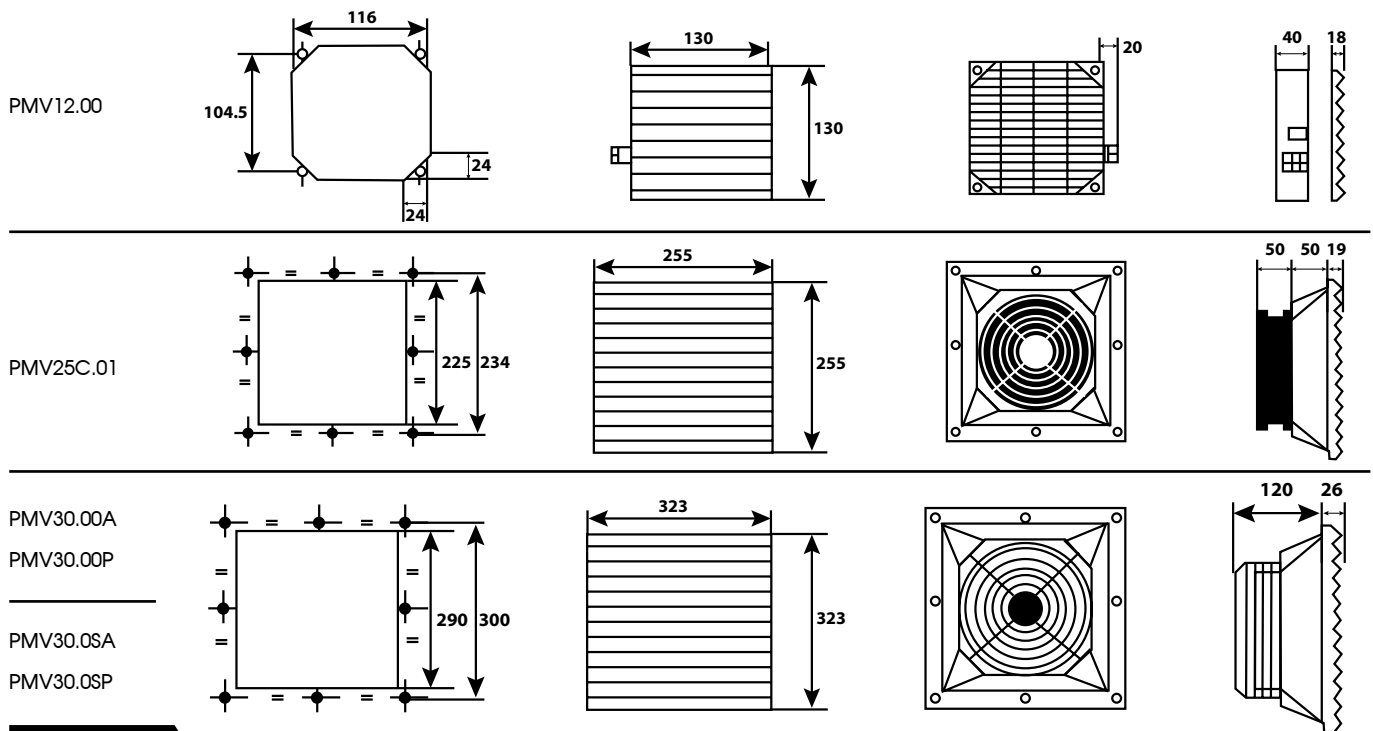
Normally, the hot air flows upward from the bottom to the top of cabinet, so the PMV - SERIES fan should be located at the top of the cabinet. PMF-SERIES dust filters are installed below. To be the air from the outside into the cabinet. As for example A, if you want to compress the outside air in the cabinet. This can be done by reversing the PMV fan rotation



There are also accessories. Analog Thermostat Model CMA - 001 and Digital Model CMA - 002 for cutting fan to extend the life. By ordering the fan to work only at high temperatures

TECHNICAL DESCRIPTION

Product figure	Voltage/frequency (V/Hz)	Power consumption (W/A)	Operation temperature	Decibel (dB)	Intensity level (CFM)	Air Capacity (m ³ /h)
•PMV12.00 (Size 4")  24VDC using FP-108 / DC assembly 110 / 220VAC using FP-108-1 assembly	• 24VDC	8.60/0.36	-10 to 70 °C	45	74	126
	• 110VAC/50Hz • 220VAC/50Hz	16/0.13	-10 to 70 °C	47-53	78 78	133 133
•PMV25C.01 (Size 6")  24VDC using FP-108 / DC assembly 110 / 220VAC using FP-108EX assembly 110 / 220VAC using FP-108-1 assembly	• 24VDC	9.6/0.4	-10 to 70 °C	42	140	240
	• 220VAC/50Hz	40/0.3		58	146	248
	• 110VAC	38/0.5		50	190	324
•PMV30.00A •PMV30.00P (Size 8")  Using 2VRE15 200 Assembly	• 220VAC/50Hz	40/0.4	-10 to 70 °C	69	368	626
•PMV30.05A •PMV30.05P (Size 8")  Using FP-108K Assembly	• 220VAC/50Hz	40/0.4	-10 to 70 °C	69	251	428

SIZE AND DIMENSION

ACCESSORY

1.) PMF -SERIES is a set of masks with dust filter for air inside the cabinet. There are 3 sizes for selection



Type	PMF12
size (mm.)	130 x 130 mm.

Used for PMV12.00



Type	PMF25
size (mm.)	255 x 255 mm.

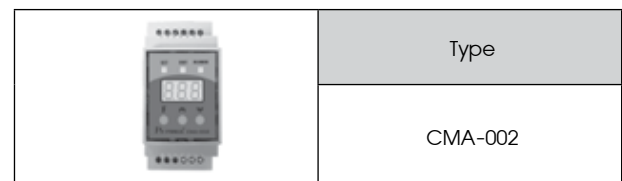
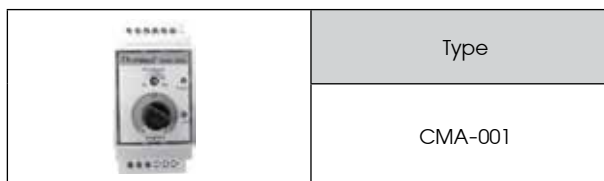
Used for PMV25.01/PMV25C.01



Type	PMF30
size (mm.)	323 x 323 mm..

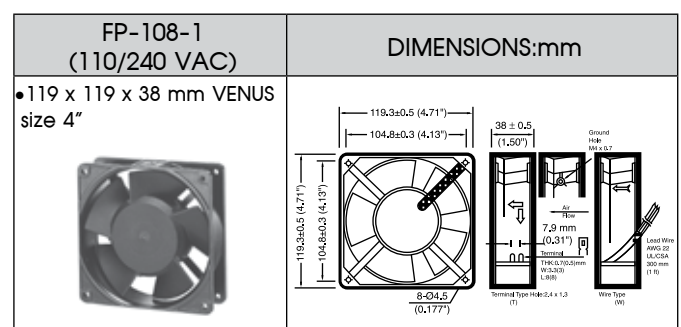
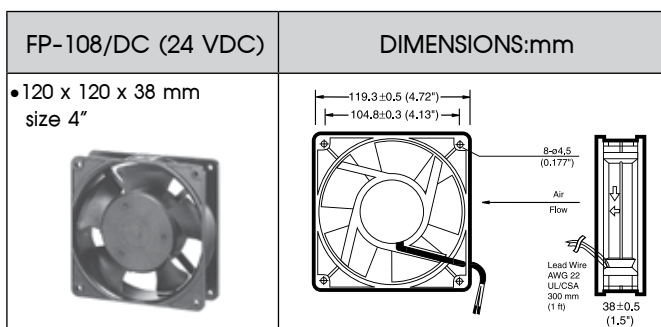
Used for PMV30.00A/PMV30.00P
PMV30.0SA/PMV30.0SP

2.) CMA - 001/002 -SERIES THERMOSTAT for fan contact operation to extend the life of the fan. There are two models are Analog CMA - 001 and Digital CMA-002


FAN COMPONENT


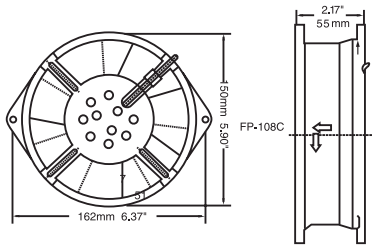
Fan which assemblies to PMV-SERIES model


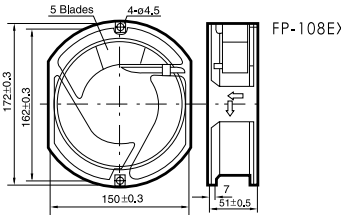
- FP -108 / DC (24VDC) and FP - 108-1 (110 / 240VAC) for PMVI 2.00 models


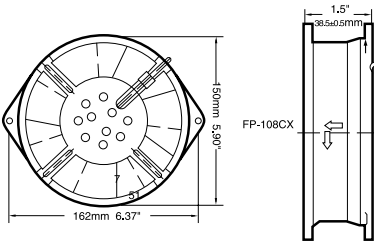


FAN COMPONENT


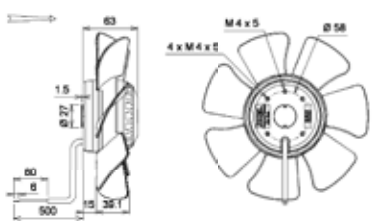
- FP-108C (110/220VAC) for PMV25C.01 model

FP-108C (220 VAC)	DIMENSIONS:mm
<ul style="list-style-type: none"> ● 162 x 150 x 55mm size 6" 	 <p>162mm 6.37"</p> <p>150mm 5.90"</p> <p>2.17" 55mm</p> <p>FP-108C</p>


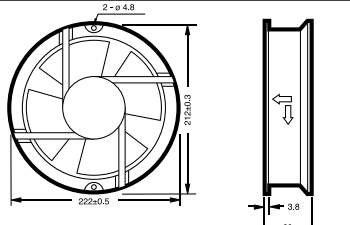
FP-108EX (110 AC)	DIMENSIONS:mm
	 <p>5 Blades</p> <p>4-ø4.5</p> <p>172±0.3</p> <p>162±0.3</p> <p>150±0.3</p> <p>7</p> <p>51±0.5</p> <p>FP-108EX</p>

FP-108CX/DC (24 VDC)	DIMENSIONS:mm
	 <p>150mm 5.90"</p> <p>162mm 6.37"</p> <p>1.5" 38.5±0.5mm</p> <p>FP-108CX</p>

- 2VRE15 200A/P used for PMV30.00A/PMV30.00P model

2VRE15 200A/P	DIMENSIONS:mm
<ul style="list-style-type: none"> size 8" 	 <p>63</p> <p>M4x5</p> <p>4xM4x5</p> <p>1.5</p> <p>8.7</p> <p>8.5</p> <p>500</p> <p>25</p>

- FP-108K used for PMV30.0SA/PMV30.0SP model

FP-108K	DIMENSIONS:mm
<ul style="list-style-type: none"> ● 220Ø x 60 x 51mm MEPTUNE size 8" 	 <p>2-ø 4.8</p> <p>212±0.5</p> <p>222±0.5</p> <p>3.8</p> <p>60</p>

ORDERING CODE

- FAN



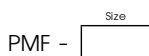
Size	
12.00	130 x 130 mm.
25C.01	255 x 255 mm.
30.00A	323 x 323 mm.
30.00P	323 x 323 mm.
30.0SA	323 x 323 mm.
30.0SP	323 x 323mm.

Power Supply Voltage	
24	24 VDC
110	110 VAC
220	220 VAC
380	380 VAC

*Foe models PMV12.00, PMV25C.01
 *Foe models PMV12.00, PMV25C.01
 *All models
 *Foe models PMV30.00A/PMV30.00P

- * For PMV30.00A/PMV30.0SA Models : Direction of air intake from cabinet Inlot tha cabinet
- PMV30.00P/PMV30.0SP Models : Direction of suction from cabinet
- * For PMV12.00/PMV25C.01Models : can be reversed fan side.
- Selectable air inlet / outlet direction (Standard version is air in lot)

- AIR FILTER POD



Size	
12	130x130 mm. use for PMV 12.001
25	255x255 mm. use for PMV 25.01/PMV25C.01
30	323x323 mm. use for PMV 30.00A/PMV30.00P PMV 30.0SA/PMV30.0SP