

DESCRIPTION

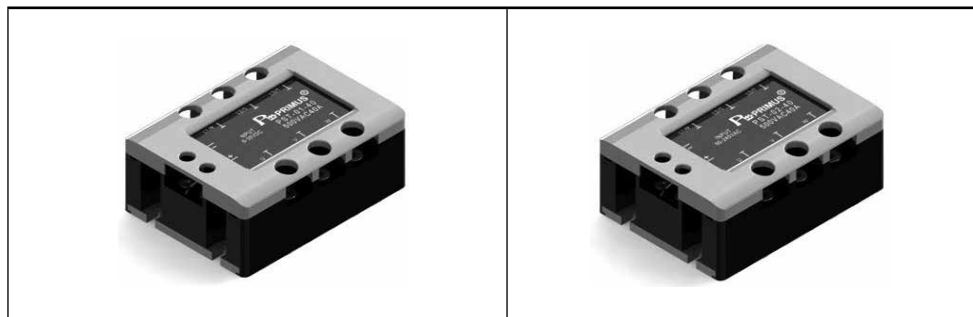
- Power circuit 3 phase power Supply relay, 500VAC
- Can be used with load types.
 - Zero Cross (Resistive Load) : Heater, Lamp
- Input voltage : 6-30VDC and 90-240VAC
- Current : 40A, 50A, 75A
- Suitable for ON / OFF jobs often.
 - There is no contactor, so there is no spark in the contactor.
 - long service life

OPERATION

PST-Series (3 Phase Solid State Relay) : 3-phase solid-state relay. When the input signal of the control voltage Output will work simultaneously with 3-phase internal consisting of Semiconductor no contactors make no arcs. Suitable for ON/OFF frequently. Available in both Resistive Load and Heater, the bulb can be used as a replacement for the Magnetic Contactor, which provides longer service life

Due to frequent contact and high current Therefore, the installation of Solid State Relay must be installed with Heat Sink for cooling

TECHNICAL SPECIFICATION



| Model | | PST-01-40 | PST-02-40 |
|-------------------|-------------|--------------------------------------|---------------------------|
| TYPE | | Zero Cross (Resistive Load) | |
| | | LED (Red Show Input Control) | |
| Input | | Control Voltage 6-30VDC | Control Voltage 90-240VAC |
| | | Input Impedance > 1kΩ | Input Impedance > 150kΩ |
| Output | | Switching Voltage 500 VAC (3-Phase) | |
| | | Peak Voltage 500V | |
| | | Switching Current 40A | |
| | | Operating Frequency Range 10-440 Hz | |
| Ambient Operation | Temperature | -10 °C to 60 °C | |
| | Humidity | 85 % RH Non-Condensing | |
| Ambient Storage | Temperature | -20 °C to 80 °C | |
| | Humidity | 85 % RH Non-Condensing | |
| Protection Degree | | IP40 | |
| Installation | | Screw with Heat Sink | |
| Material | | ABS-V0 | |
| Size | | 74 x 99 x 47mm. | |
| Weight | | 430 g. | |

TECHNICAL SPECIFICATION (CONTINUE)

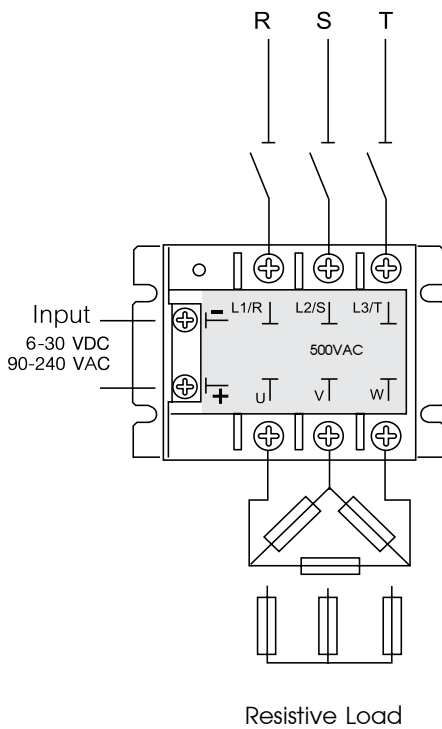
| | | | | | |
|-------------------|-------------|--------------------------------------|--|---------------------------|--|
| | | | | | |
| Model | | PST-01-50 | | PST-02-50 | |
| TYPE | | Zero Cross (Resistive Load) | | | |
| | | LED (Red Show Input Control) | | | |
| Input | | Control Voltage 6-30VDC | | Control Voltage 90-240VAC | |
| | | Input Impedance > 1kΩ | | Input Impedance > 150kΩ | |
| Output | | Switching Voltage 500 VAC (3-Phase) | | | |
| | | Peak Voltage 500V | | | |
| | | Switching Current 50A | | | |
| | | Operating Frequency Range 10-440 Hz | | | |
| Ambient Operation | Temperature | -10 °C to 60 °C | | | |
| | Humidity | 85 % RH Non-Condensing | | | |
| Ambient Storage | Temperature | -20 °C to 80 °C | | | |
| | Humidity | 85 % RH Non-Condensing | | | |
| Protection Degree | | IP40 | | | |
| Installation | | Screw with Heat Sink | | | |
| Material | | ABS-V0 | | | |
| Size | | 74 x 99 x 47mm. | | | |
| Weight | | 430 g. | | | |

| | | | | | |
|--------|--|--------------------------------------|--|---------------------------|--|
| | | | | | |
| Model | | PST-01-75 | | PST-02-75 | |
| TYPE | | Zero Cross (Resistive Load) | | | |
| | | LED (Red Show Input Control) | | | |
| Input | | Control Voltage 6-30VDC | | Control Voltage 90-240VAC | |
| | | Input Impedance > 1kΩ | | Input Impedance > 150kΩ | |
| Output | | Switching Voltage 500 VAC (3-Phase) | | | |
| | | Peak Voltage 500V | | | |
| | | Switching Current 75A | | | |
| | | Operating Frequency Range 10-440 Hz | | | |

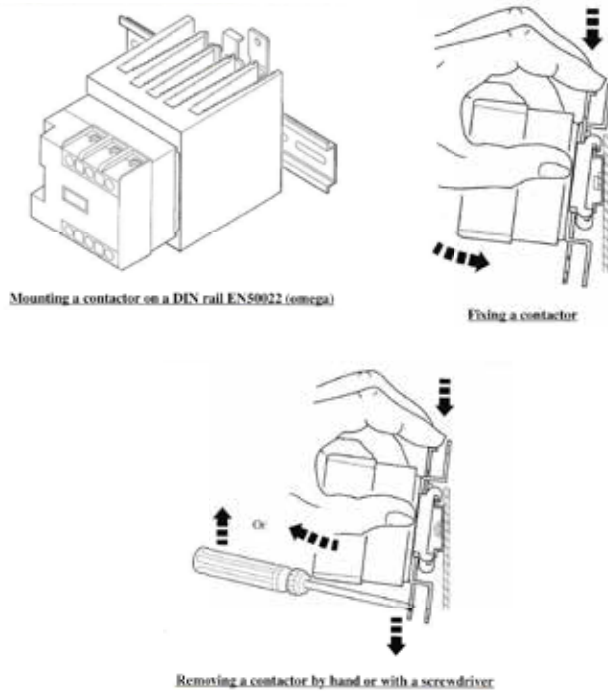
TECHNICAL SPECIFICATION (CONTINUE)

| Model | | PST-01-75 | PST-02-75 |
|-------------------|-------------|-----------------------------|-----------|
| TYPE | | Zero Cross (Resistive Load) | |
| Ambient Operation | Temperature | -10 °C to 60 °C | |
| | Humidity | 85 % RH Non-Condensing | |
| Ambient Storage | Temperature | -20 °C to 80 °C | |
| | Humidity | 85 % RH Non-Condensing | |
| Protection Degree | | IP40 | |
| Installation | | Screw with Heat Sink | |
| Material | | ABS-V0 | |
| Size | | 74 x 99 x 47mm. | |
| Weight | | 430 g. | |

WIRING DIAGRAM

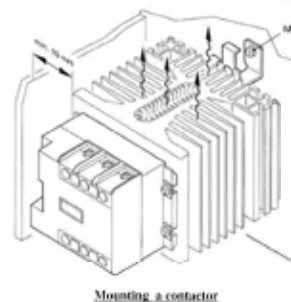
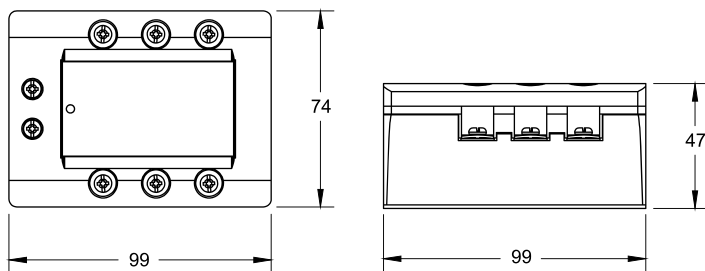


INSTALLATION



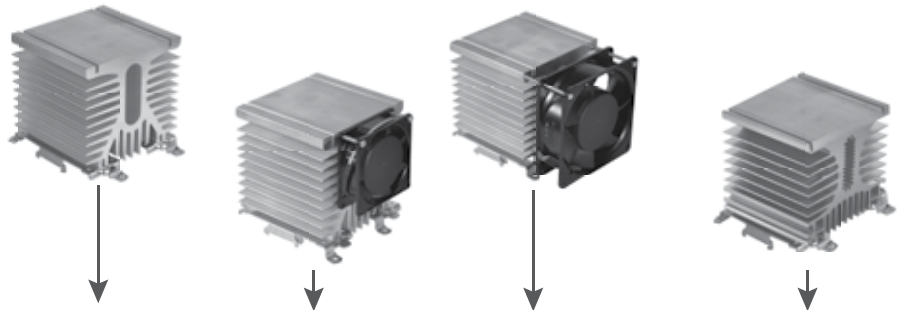
DIMENSION

OPERATION



ACCESSORIES

Heat Sink Cooling device for solid-state relays To extend the life of solid-state relays to be durable And longer lifespan



| Model | HP-02 | HP-02-F | HP-02-FB | HP-04 |
|-------------------------|--------------|---|---|--------------|
| Thermal Characteristics | 0.9 kW | 0.3 kW | 0.2 kW | 0.75 kW |
| Type | 3Ø SSR | 3Ø SSR | 3Ø SSR | 3Ø SSR |
| Specifications | for DIN RAIL | Ventiled for DIN RAIL With Fan Supply 220/240 VAC | Ventiled for DIN RAIL With Fan Supply 220/240 VAC | for DIN RAIL |
| Fans | None | SF23080AT (HBL.GN) | FP-108-1(S-1) | None |
| Air Volume | None | 18 CFM 0.5 M ³ /Min | 80 CFM 2.3 M ³ /Min | None |
| Weight | 2.02 Kg. | 2.28 Kg. | 2.54 Kg. | 1.30 Kg. |