



**DESCRIPTION**

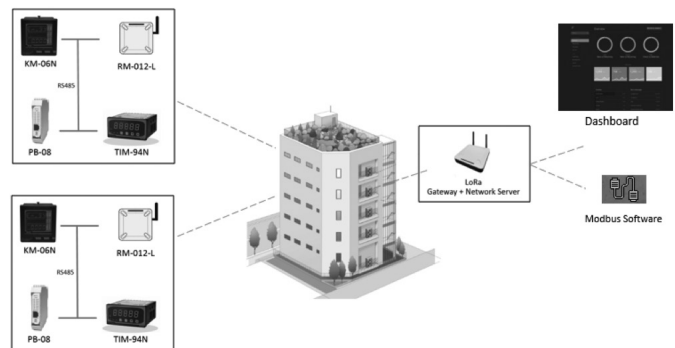
- Converter from RS485 to LoRawan.
- Able to handle the communicate devices via RS485. Modbus RTU as much to 10 devices and record data 12 Register.
- Able to set the MODBUS table record data via an software.
- LoRaWAN Class A Communication.
- Transmit Power +20dBm (E.I.R.P.).
- Radio frequency band AS923 : 923 - 925 MHz.
- Transmitter Distance 1 km in an open area.
- 4 LED indication (Power, LoRa, Tx , Rx ).
- Suitable for Smart Industries, Facilities Management, Smart Building Applicaton.

**SPECIFICATION**

Power Supply	100-240VAC 50-60Hz	
Power Consumption	< 3VA	
Display	4 LED (Power, LoRa, Tx , Rx)	
LoRa Communication	Frequency	923-925 MHz
	Transmit Power	+20dBm (E.I.R.P.)
	Spreading factor	7 - 12
	Sensitivity	Up to -137dBm
	Antenna	SMA
	Repeatability	36 Second
	Wireless Distance	500m. for Indoor and 1000m. for Outdoor
RS485 Communication	Protocol	MODBUS RTU
	Address	1-128
	Baud rate	1200, 2400, 4800, 9600, 14400, 19200, 38400, 57600
	Parity	None, even, odd
	Data bit	8 bit
	Stop bit	1, 2
	Support device node	10
	Ambient operation	Temperature
	Humidity	85 % RH Non-Condensing
Ambient storage	Temperature	-20 °C to 80 °C
	Humidity	85 % RH Non-Condensing
Material	ABS-V0	
Size	120x120x29.50	
Weight	170 g	

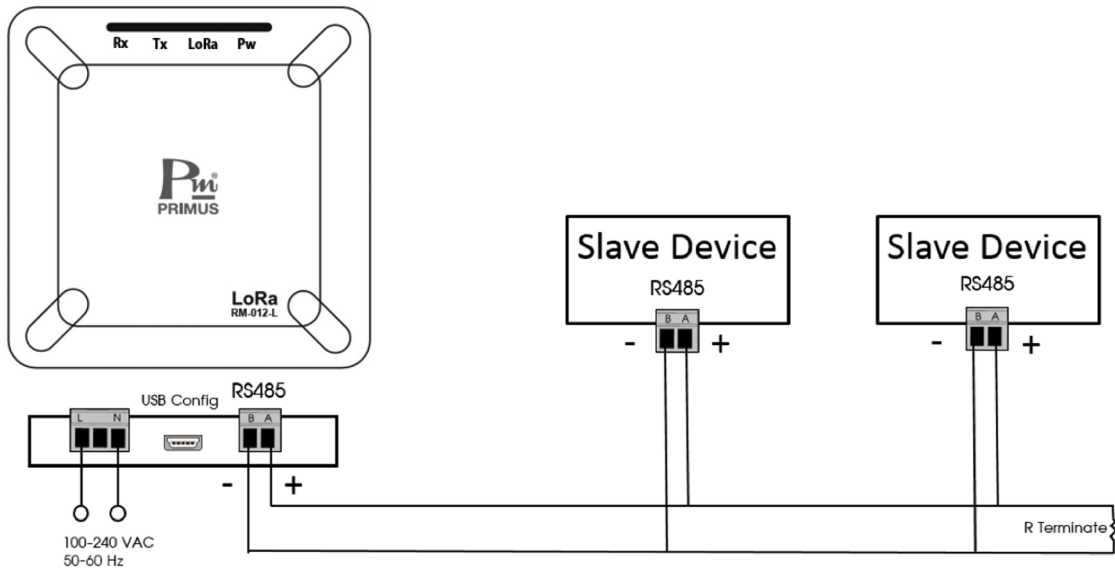
**OPERATION**

RM-012-L is a converter that converts from RS485 to LoRaWAN Range 923-925 MHz. It can communicate in distance 1 km from LoRaWAN Gateway to RM-012-L. And the LoRaWAN is popular standard communication so the device can use with LoRaWAN from other systems. RM-012-L will collect the data from the device which support MODBUS RS485 RTU then send data via LoRaWAN Gateway to Network Server every 36 seconds per 1 device to save and use for Applications such as Display temperature and humidity via Dashboard suit for Wireless Transmitter in long-distance works such as Smart industries, Facilities Management, Smart buildings etc.

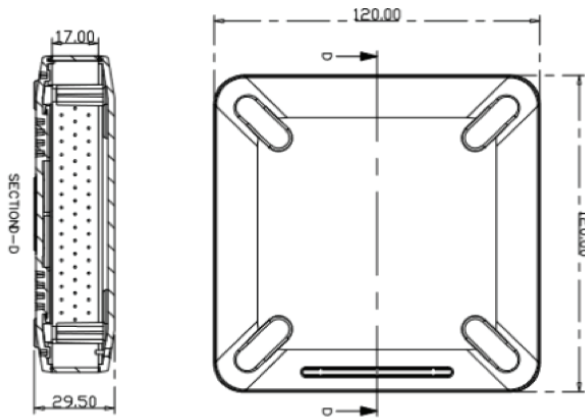


Example picture of the RM-012-L with LoRa System application

**WIRING DIAGRAM**



**DIMENSION**



**ORDERING CODE**

RM-012-L