

DESCRIPTION

- Single phase circuit breaker, 12-400VAC
- Can be used with load types.
 - ZERO CROSS (Resistive Load): Heater, Light bulb
 - RANDOM (Inductive Load): Motor
- Input voltage: 4-30VDC and 90-240VAC
- Current: 25A, 40A, 50A, 75A
- Suitable for ON/OFF jobs often.
 - There is no contact, so do There is no spark in the contactor.
 - long service life

OPERATION

PS-Series (Single Phase Solid State Relay): A single phase solid state relay. When input signal comes along in the range of voltage then output will be activated

The interior is composed of Semiconductor No contact with the Arc is suitable for work with ON/OFF often. Available in both Resistive Load, such as Heater, Light bulb and Inductive Load, such as Motor, etc. Can be used to replace the Magnetic Contactor, which provides long service life

Due to frequent ON/OFF contact and high current Therefore, the installation of Solid State Relay must be installed with Heat Sink for cooling

TECHNICAL SPECIFICATION



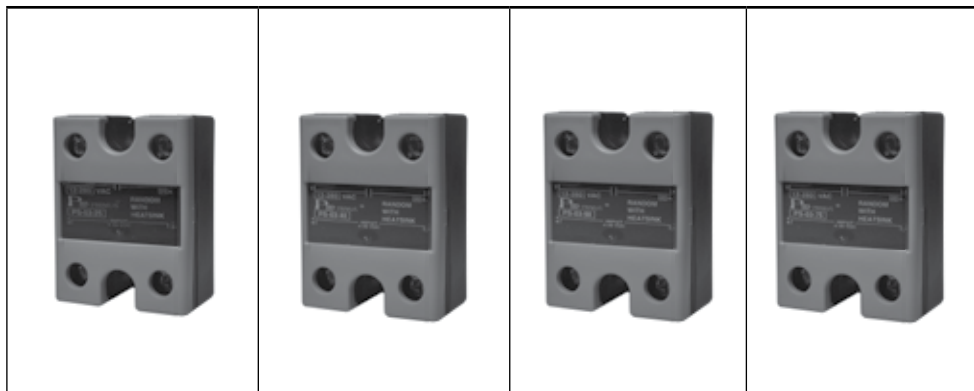
Model	PS-01N-25	PS-01N-40	PS-01N-50	PS-01N-75			
TYPE	Zero Cross (Resistive Load)						
Input	LED (Red Show Input Control)						
	Control Voltage 4-30VDC						
	Input Impedance > 1kΩ						
Output	Switching Voltage 12 to 400 VAC (1-Phase)						
	Peak Voltage 400V						
	Switching Current						
	25A	40A	50A	75A			
	Max Drop Voltage 1.4Vrms						
	Maximum Leakage Current 15 mA rms						
	Power Factor 0 up to 1						
	Operating Frequency Range 10 up to 440 Hz						
$I^2t = 340A^2s$		$I^2t = 880A^2s$		$I^2t = 680A^2s$		$I^2t = 1760A^2s$	
Ambient Operation	Temperature	-10 °C to 60 °C					
	Humidity	85 % RH Non-Condensing					
Ambient Storage	Temperature	-20 °C to 80 °C					
	Humidity	85 % RH Non-Condensing					
Protection Degree	IP40						
Installation	Screw with Heat Sink						
Material	ABS-V0						
Size	45.2 x 58.8 x 21.36mm.						
Weight	90 g.						

TECHNICAL SPECIFICATION (CONTINUE)



Model		PS-02-25	PS-02-40	PS-02-50	PS-02-75
TYPE		Zero Cross (Resistive Load)			
Input		LED (Red Show Input Control)			
		Control Voltage 90-240VAC			
		Input Impedance > 150kΩ			
Output		Switching Voltage 12 to 400 VAC (1-Phase)			
		Peak Voltage 400V			
		Switching Current			
		25A	40A	50A	75A
		Max Drop Voltage 1.4Vrms			
		Maximum Leakage Current 15 mA rms			
		Operating Frequency Range 10 up to 440 Hz			
		$i^2t = 340A^2s$	$i^2t = 880A^2s$	$i^2t = 680A^2s$	$i^2t = 1760A^2s$
Ambient Operation		Temperature -10 °C to 60 °C			
		Humidity 85 % RH Non-Condensing			
Ambient Storage		Temperature -20 °C to 80 °C			
		Humidity 85 % RH Non-Condensing			
Protection Degree		IP40			
Installation		Screw with Heat Sink			
Material		ABS-V0			
Size		45.2 x 58.8 x 21.36mm.			
Weight		90 g.			

TECHNICAL SPECIFICATION (CONTINUE)



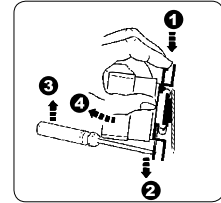
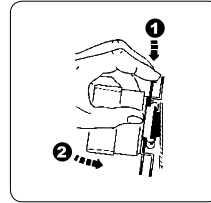
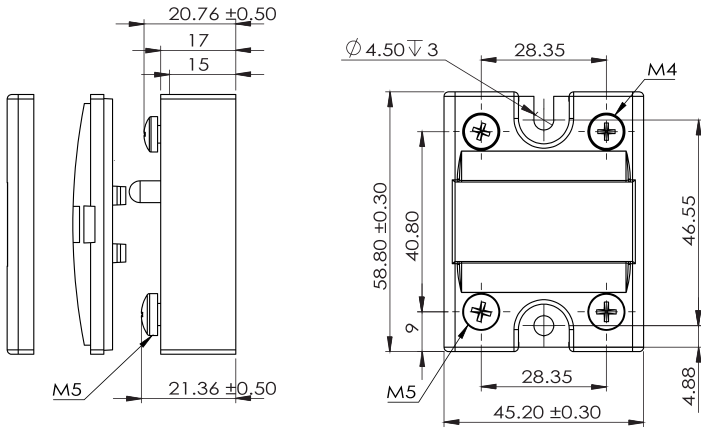
Model		PS-03N-25	PS-03N-40	PS-03N-50	PS-03N-75
TYPE		RANDOM (Inductive Load)			
Input		LED (Red Show Input Control)			
		Control Voltage 4-30VDC			
		Input Impedance > 1kΩ			
Output		Switching Voltage 12 to 400 VAC (1-Phase)			
		Peak Voltage 400V			
		Switching Current			
		25A	40A	50A	75A
		Max Drop Voltage 1.4Vrms			
		Maximum Leakage Current 15 mA rms			
		Operating Frequency Range 10 up to 440 Hz			
		$I^2t = 340A^2s$	$I^2t = 880A^2s$	$I^2t = 680A^2s$	$I^2t = 1760A^2s$
Ambient Operation	Temperature	-10 °C to 60 °C			
	Humidity	85 % RH Non-Condensing			
Ambient Storage	Temperature	-20 °C to 80 °C			
	Humidity	85 % RH Non-Condensing			
Protection Degree		IP40			
Installation		Screw with Heat Sink			
Material		ABS-V0			
Size		45.2 x 58.8 x 21.36mm.			
Weight		90 g.			

TECHNICAL SPECIFICATION (CONTINUE)

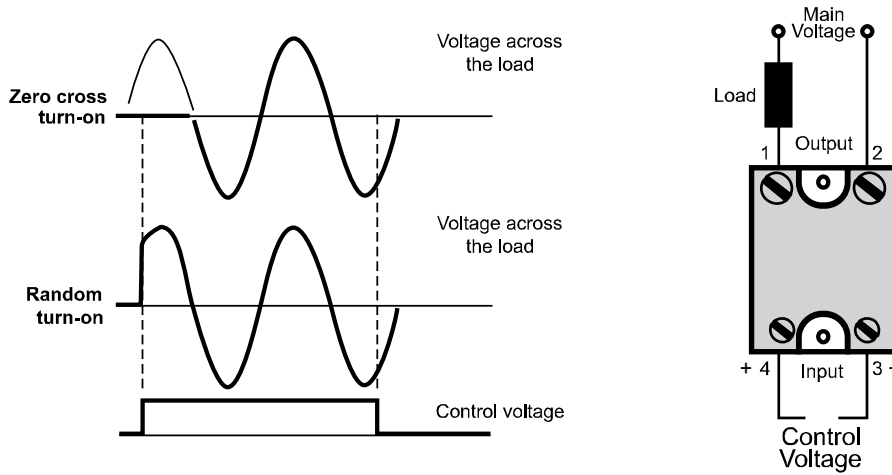


Model		PS-04-25	PS-04-40	PS-04-50	PS-04-75
TYPE		RANDOM (Inductive Load)			
Input		LED (Red Show Input Control)			
		Control Voltage 90-240VAC			
		Input Impedance > 150kΩ			
Output		Switching Voltage 12 to 400 VAC (1-Phase)			
		Peak Voltage 400V			
		Switching Current			
		25A	40A	50A	75A
		Max Drop Voltage 1.4Vrms			
		Maximum Leakage Current 15 mA rms			
		Operating Frequency Range 10 up to 440 Hz			
		$i^2t = 340A^2s$	$i^2t = 880A^2s$	$i^2t = 680A^2s$	$i^2t = 1760A^2s$
Ambient Operation	Temperature	-10 °C to 60 °C			
	Humidity	85 % RH Non-Condensing			
Ambient Storage	Temperature	-20 °C to 80 °C			
	Humidity	85 % RH Non-Condensing			
Protection Degree		IP40			
Installation		Screw with Heat Sink			
Material		ABS-V0			
Size		45.2 x 58.8 x 21.36mm.			
Weight		90 g.			

DIMENSION



WIRING DIAGRAM



ACCESSORIES

