



TECHNICAL SPECIFICATION

Power Supply		100-240 VAC			
		24 VAC/VDC ±10%			
Power Consumption		4 VA			
Color of LED Unit		Red, Yellow, Green, Blue			
Flashing Rate	Rotation pattern	175 ±10 Flashes Per Minute			
	Flashing pattern	55 ±10 Flashes Per Minute			
	Strobe pattern	Double 75 ±10 Flashes Per Minute			
Mounting Location		Indoors and Outdoors In the case of use as UL standard model, this product can be used only indoors.(Do not use it outdoors.)			
Mounting Direction	Indoors	Upright, Inverted and Sideways			
	Outdoors	Upright only			
Protection Rating	Indoors	Environmental Condition IP 55 : with rubber mount			
	Outdoors	IP 23			
Luminous Intensity	Luminous color	Red	Yellow	Green	Blue
	Type	10cd or more	15cd or more	15cd or more	3cd or more
Buzzer		90 dB Max (at 1M.)			
Lamp Life		100,000 Hr.			
Communication	Protocol	MODBUS RTU			
	Baud Rate	4800, 9600, 19200, 38400			
	Parity	None			
	Stop Bit	1			
	Data Bit	8			
	Maximum Support Node	1-15			
Ambient Operation	Temperature	-10 °C to 60 °C			
	Humidity	85% RH Non-Condensing			
Ambient Storage	Temperature	-20 °C to 80 °C			
	Humidity	85% RH Non-Condensing			
Material	Tower	ABS-V0			
Size		105 x 168 mm.			
Weight		450 g.			

DESCRIPTION

- Rotation warning light, available in both AC and DC
- High brightness and long service life with LED High Power
- 3 Pattern Flashing are Rotation Pattern, Flashing Pattern and Strobe Pattern
- Buzzer to alert 3 types of alarm at a loudness of 90 dB Max (at 1 M.) And can adjust the volume of the sound as needed
- Push/ Pull Connection can be used for both NPN / PNP, Open Collector
- RS-485 MODBUS RTU Protocol Communication
- Anti-rust protection material IP 55 (stand-up installation), IP 23 (inverted installation)
- Can clearly see 360 degree

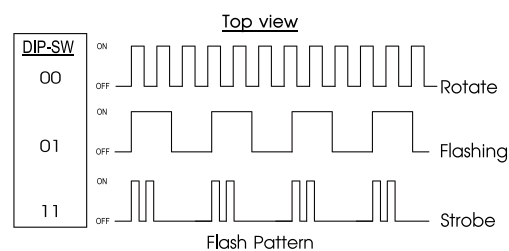
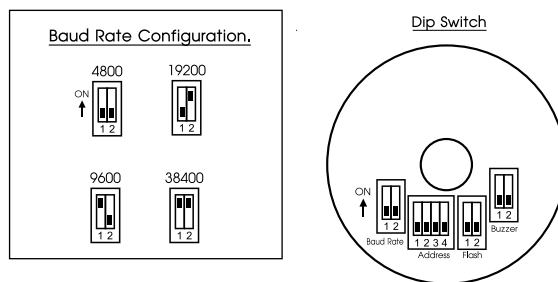
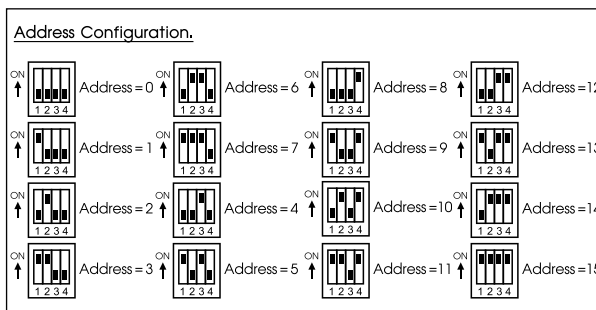
OPERATION

TLW-01 / TLW-02 Rotation warning Light can be installed both up and down. Suitable for indoor installation the external installation can be installed only in the form set up

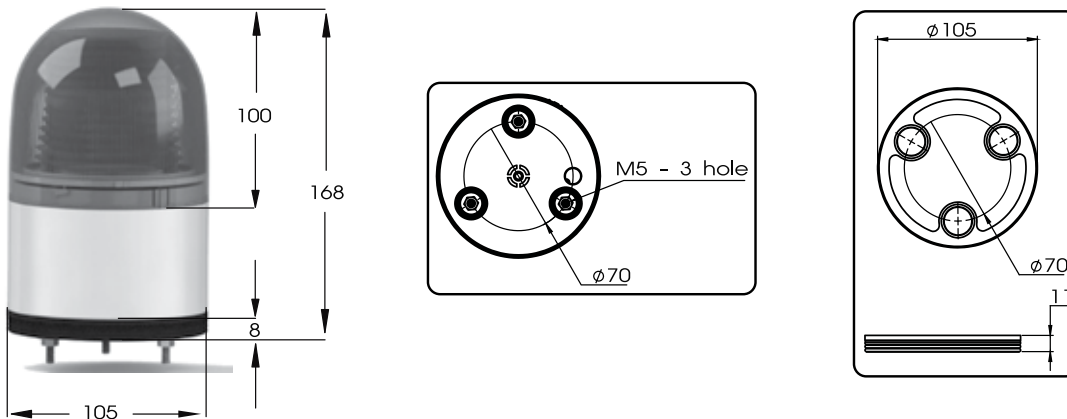
TLW-01 / TLW -02 can operate 3 Patterns Flashing: Rotation Pattern (175 ± 10 Flashes / Minute), Flashing Pattern (Flashing 55 ± 10 Flashes / Minute), Strobe Pattern (Rotate and blink 2 times 75 ± 10 Flashes / Minute)

In addition, there is a buzzer to notify the alarm in the event that the operator is far from the machine 3 types at a 90 dB Max (at 1 M.) Or send notification via Computer with RS-485.

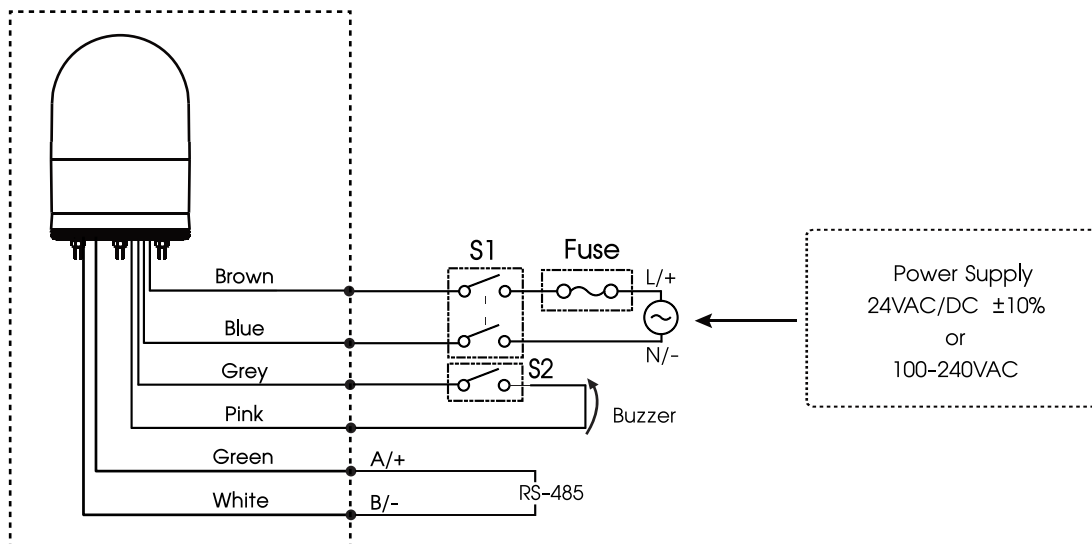
DISPLAY BUZZER AND FLASH PATTERN SETTING



DIMENSION



WIRING DIAGRAM



ORDERING CODE

