

 **TOPRO**

Premium Walkers

Taurus, Troja Walker², Troja Neuro



EN

made in Norway



TAURUS

SAFE AND STEADY WALKER

The TOPRO Taurus offers optimal support for users with restricted mobility and is ideal for use in domestic and care environment. Four different models are available, Basic and Premium versions with hydraulic height adjustment and Basic and Premium versions with electric height adjustment. The premium models have driving and parking brake on both handles and directional lock on the rear wheels.

- It is **easily adjusted** to suit the particular ergonomic needs of the user – primarily height but also body size and arm position.
- Can be used as an aid for when getting out of bed or a chair.
- As an option (Premium models), **the handles can be adjusted** to the desired position.
- **Non-slip wheels** for easy and safe manoeuvring. All four wheels are equipped with foot brakes.
- The Premium models also have a **lockable position for the swivel of the rear wheels**, and all the wheels are fitted with locking brakes. Additionally, one can use a **handbrake** to determine the preferred personal pushing speed.
- The TOPRO Taurus is a versatile walking aid that can be personally adjusted to the individual user thanks to its hydraulic or electric height adjustment feature. **Adjustable forearm supports**, and a wide range of accessories make this the ideal walking aid.
- It is **also suitable for tall users** (up to 210 cm) and has a user weight limit of up to 150 kg.

New features, differences of the models, product details and measurements are available on the next pages and page 13.



Learn more on our website



made in Norway



Details and features



Driving and parking brake on the same lever on both handles on the Premium models.



Easy to operate adjustment of handles on the Premium models.



Seamless adjustable forearm supports.



Integrated directional lock for the swivel (easily activated with the foot) on the Premium models. Foot brakes on all wheels and models.



Toggle switch for electric height adjustment on the Taurus E.

User friendly seamless height adjustment. The scale lets you find the correct position quickly.

Model specifications

	TOPRO Taurus H Basic	TOPRO Taurus H Premium	TOPRO Taurus E Basic	TOPRO Taurus E Premium
Driving and parking brake on both handles	✗	✓	✗	✓
Brakes can be operated independently from each handle	✗	✓	✗	✓
Adjustable handles (Angle and length)	✗	✓	✗	✓
Parking brakes on all wheels (foot brakes)	✓	✓	✓	✓
Adjustable forearm supports	✓	✓	✓	✓
Integrated directional lock on rear wheels (Activate and release with foot pedal)	✗	✓	✗	✓
Position symbols on the height adjustment button on the handle - 0 = DOWN NO ACTION UP	✗	✗	✓	✓
Electric height adjustment	✗	✗	✓	✓
Hydraulic height adjustment	✓	✓	✗	✗
Can be used in the shower	✓	✓	✗	✗
Could act as support while rising up due to easy operation from the handle (Important: Is not a patient lifter)	✗	✗	✗	✓



H Basic



H Premium



E Basic



E Premium

Accessories for Taurus



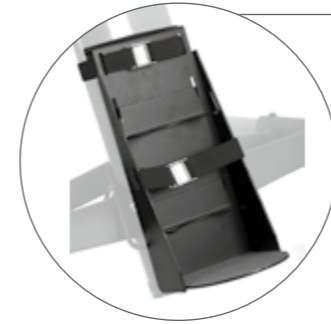
Forearm side support (pair)

Art. No. 814647



Multifunction net basket
Extra place to put things for easy stowage of small items (up to 2 kg)

Art. No. 814821



Oxygen bottle holder

Art. No. 814820



Wall mount for the battery charger

Art. No. 814085



One-handed brake
can be fitted on either side, for singlehanded operation, e.g. after a stroke.

Art. No. 814026



Infusion stand

Art. No. 814793



Foot plate
for support to transport the user if they are tired

Art. No. 814645



Tray
for transporting food and drinks safely

Art. No. 814810



Stand for body fluid-boxes

Art. No. 814034



Height adjustment panel
for TOPRO Taurus E

Art. No. 814646



Supported by the TOPRO Taurus, the user can get out of bed, a chair etc. without difficulty – with or without assistance.



Learn more
Accessories Taurus

TROJA WALKER²

FOREARM WALKER WITH ROLLATOR COMFORT



The TOPRO Troja Walker² in its updated design, is a practical, lightweight and stable walker with the comfort of a rollator with forearm supports which have been designed to provide upright support to ensure correct posture when walking.

- Driving and parking brakes are on the same lever, for easy operation.
- Innovative sideways folding technology that is easy to operate with one hand by pulling the cord on the seat. This makes the walker practical to transport and enables it to stay firmly on its wheels and take up little space when stored.
- The handle bars can be pushed down into the side bars for practical storage.
- Unique memory function retains the preset forearm support height for easy re-use.
- Ball bearings in forks and wheels provide excellent driving comfort and manoeuvrability.
- Edge guard and tilt function for safe and easy manoeuvring over thresholds.
- Practical net basket for easy access to items. Holds up to 5 kg.
- Numeric scale for easy height adjustment of the handles, with improved lock clamp.
- Available in three different sizes.

Measurements, colour options and other product details are available on page 14.

Modell M, S, X available in:



TOPRO Troja Walker²



made in Norway



TROJA NEURO

THE ROLL CONTROL SPECIALIST



The TOPRO Troja Neuro features a reverse braking system which has been specially developed to provide users with extra safety with roll control. The brakes are automatically activated until the brake handles are pushed in.

- Based on the tried-and-tested TOPRO Troja Classic rollator and fitted with a reverse braking system (RBS).
- RBS automatically stops the rollator, without having to use the brake levers.
- Cannot roll away by accident, but has to be actively “started” in order to move. The brakes handles must be held in to operate the rollator.
- RBS can make coordination easier for people with neurological disorders or age-related changes in gait, increases their safety and provides them with greater stability when sitting on the rollator.
- User friendly brake operation, which are usually well accepted even by people with memory problems, making a significant contribution to preventing falls.

- Safer to sit down and stand up with the brakes automatically turned on.
- Possible to deactivate the brakes completely by pushing the brake handles all the way down to the locked position. The rollator can then move freely.
- Ergonomic handles for flexible grip, correct walking posture and comfortable armrests (TOPRO Ergo Grip). Changing the grip relieves pressure on the hands.
- Unique memory function retains the preset handle height for easy re-use.
- Small turning circle makes it easy to use in small rooms (e.g. bathrooms/ kitchen).
- Edge guard and tilt function for safe and easy manoeuvring over thresholds and kerbs.
- Detachable spacious basket.
- Easy to fold, by simply pulling the cord on the seat. Stays firmly on its wheels and takes up little space when stored and transported.

Measurements, colour options and other product details are available on page 15.



Learn more
TOPRO Troja Neuro

Roll resistance system (RRS)

The TOPRO Troja Neuro can be fitted with our special TOPRO Roll Resistance System (RRS) as an optional extra.

This is fitted above or below the edge deflector on the wheel and is seamless adjustable using the small dial. This enables the rollator’s resistance to be individually adapted to the needs of the user – so that the user always has the optimum resistance to be able to walk safely and evenly.



Roll Resistance System (RRS) installed beneath the edge guard.



The edge guard and the Reverse Braking System (RBS) make everyday life easier. Permanently braked; pull to walk/release to stop.



Roll resistance system (RRS) for Troja Neuro. To adapt the roll resistance when walking with the rollator. Art. No. 814038

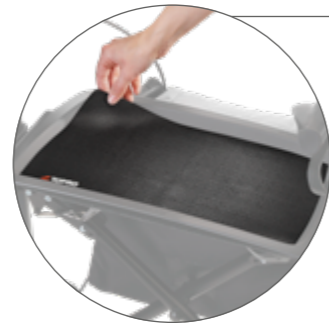
Accessories for Troja Walker² and Troja Neuro



Crutch holder
can be fitted on either side

Troja Neuro Art. No. 814025
Troja Walker² Art. No. 815358

Troja Walker², Troja Neuro



Anti-slip mat
to safely transport your
cups, plates, etc. on the tray

Art. No. 814059

Troja Walker², Troja Neuro



One-handed brake
can be fitted on either side
for one-handed operation of
simultaneous braking.

Art. No. 814026

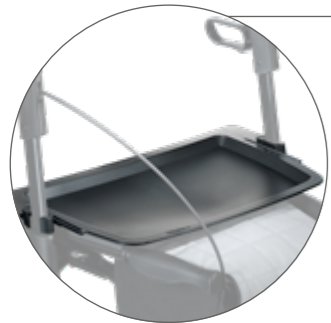
Troja Walker², Troja Neuro



Guiding handle
for companion

Art. No. 814014

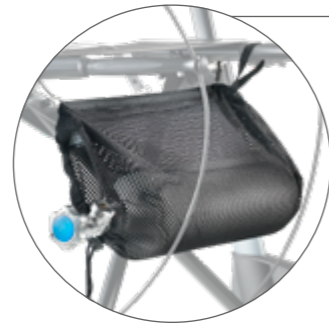
Troja Walker², Troja Neuro



Tray
snaps in securely, easy to
remove and clean, carries up
to 5 kg

Art. No. 814728

Troja Walker², Troja Neuro



Net basket for oxygen bottle
suitable for bottles with 2 litres
of oxygen (only compressed,
not liquid). Holds up to 5 kg.

Art. No. 814009

Troja Walker², Troja Neuro



Additional accessories can be found on our website.

Technical data for Taurus

Type	H (hydraulic spring)	E (electric)
Recommended user height	140–210 cm	140–210 cm
Max. user weight	150 kg	150 kg
Height of forearm support points	86.5–132 cm	86.5–136 cm
Width between support points	34–47 cm	34–47 cm
Length of forearm supports	34 cm	34 cm
Handles	Round, Ø 3.5 cm	Round, Ø 3.5 cm
Turning circle	91 cm	91 cm
Diameter wheels	12.5 cm	12.5 cm
Width wheels	3.1 cm	3.1 cm
Width at front, inside dimension	48 cm	48 cm
Width at front, outside dimension	57 cm	57 cm
Width at rear, inside dimension	57 cm	57 cm
Width at rear, outside dimension	66 cm	66 cm
Product weight	18 kg	22 kg
Area of use	Indoors	Indoors

Model	Art. No.
TOPRO Taurus H Basic (130 N hydraulic spring)	814785
TOPRO Taurus H Premium (130 N hydraulic spring) Incl. adjustable handles, driving and parking brake on handles, lock for swivel.	814787
TOPRO Taurus E Basic (electric)	814790
TOPRO Taurus E Premium (electric) Incl. adjustable handles, driving and parking brake on handles, lock for swivel.	814789

2-year warranty, excluding assembly and wear and tear parts.

Technical data for Troja Walker²



Size	M (medium)	S (small)	X (extra small)
Recommended user height	150–185 cm	130–170 cm	130–160 cm
Max. user weight	135 kg	125 kg	80 kg
Max. capacity basket	5 kg / 20 l	5 kg / 20 l	5 kg / 11 l
Height of forearm support points	98–115 cm	84–100 cm	84–96 cm
Handles	Round, Ø 3.5 cm	Round, Ø 3.5 cm	Round, Ø 3.5 cm
Maximum length	65 cm	65 cm	65 cm
Maximum width	63 cm	63 cm	53 cm
Seat height	63 cm	55 cm	52 cm
Seat width	45,5 cm	45,5 cm	36 cm
Turning circle	84 cm	84 cm	79 cm
Diameter wheels	20 cm	20 cm	20 cm
Width wheels	3.6 cm	3.6 cm	3.6 cm
Grip distance driving brake	7.4 cm	7.4 cm	7.4 cm
Height when folded	102 cm	88 cm	88 cm
Width when folded	33 cm	33 cm	33 cm
Length when folded	65 cm	65 cm	65 cm
Total dimensions (l × w × h)	65 × 33 × 102 cm	65 × 33 × 88 cm	65 × 33 × 88 cm
Product weight	8.9 kg	8.6 kg	8.3 kg
Area of use	Indoors	Indoors	Indoors
Art. No.	815430	815440	815450

Model M, S and X available in:



Silver

Technical data for Troja Neuro



Size	M (medium)	S (small)
Recommended user height	150–200 cm	135–170 cm
Max. user weight	150 kg	125 kg
Max. capacity basket	10 kg / 16 l	10 kg / 16 l
Handle height	78–100 cm	71–86 cm
Handles	Ergonomic, several holding positions (TOPRO Ergo Grip)	
Maximum length	65 cm	65 cm
Maximum width	60 cm	60 cm
Width between handles	47 cm	47 cm
Seat height	62 cm	54 cm
Seat width	45,5 cm	45,5 cm
Turning circle	84 cm	84 cm
Diameter wheels	20 cm	20 cm
Width wheels	3.6 cm	3.6 cm
Grip distance driving brake	7 cm	7 cm
Height when folded	80 cm	74 cm
Width when folded	24 cm	24 cm
Length when folded	65 cm	65 cm
Total dimensions (l × w × h)	65 × 24 × 80 cm	65 × 24 × 74 cm
Product weight	7.8 kg	7.4 kg
Area of use	Indoors & outdoors	Indoors & outdoors
Art. No.	814746	814747

Model M available in:



Dark grey

Model S available in:



Silver

Premium products from Norway

Manufacturer:

TOPRO

TOPRO Industri AS
Rambekkevegen 5
2816 Gjøvik
Norway

Tel. (+47) 61 13 46 00
info@topromobility.com
www.topromobility.com



Learn more



topromobility.com

Norwegian design and made in Norway.

TOPRO vouches for top quality and offers a 7-year warranty for the TOPRO Troja models and 2-year warranty for the TOPRO Taurus models (excl. assembly and wear and tear parts.)

Quality Assurance Standards

EN ISO 9001 – quality

EN ISO 14001 – environment

EN ISO 11199-2 – rollator

EN ISO 11199-3 – walker

EN ISO 10993-5 – biocompatibility

made in Norway



Dealer