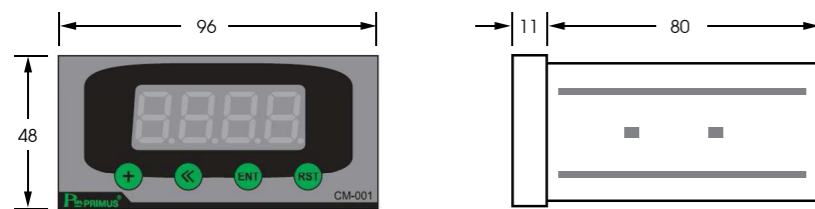




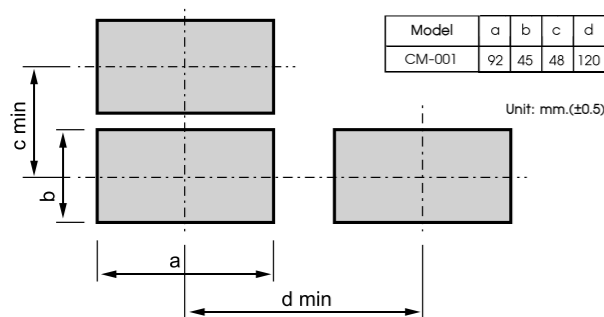
TECHNICAL SPECIFICATION

Model	CM-001	
Power Supply	220 VAC ±10 % 50-60 Hz	
	12 - 24 VAC/VDC	
Power Consumption	3 VA	
Display	7-Segment, 4 Digit	
	Size 0.56 Inch	
Input	Input Type	Photo Switch/Proximity, NPN or PNP
	Measurement Range	6 to 9999 (RPM)
	Accuracy	± 0.5% of Full Scale
	Pulse Setting	1 to 199 per Round (RPM)
	DC Source	12 VDC/50 mA
Ambient Operation	Temperature	-10°C to 60°C
	Humidity	85 % RH Non-Condensing
Ambient Storage	Temperature	-20°C to 80°C
	Humidity	85 % RH Non-Condensing
Protection Degree	Front Protection Rating	IP52
	Case Protection Rating	IP30
Installation	Panel, Mounting	
Material	ABS-V0	
Size	48 x 96 x 80 mm.	
Weight	290 g.	

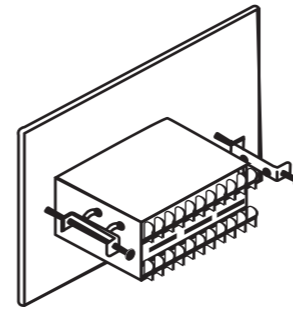
DIMENSION



CUTTING PANEL



INSTALLATION



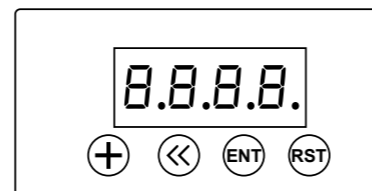
DESCRIPTION

- Tachometer (RPM) receive Input from Photo Switch, Proximity NPN or PNP
- Display by 7-Segment 4 digits size 0.56 inches

OPERATION

CM-001 is a digital tachometer (RPM) display result by 7-Segment size 0.56 inches 4 Digits with a clear vision and organized. A microcontroller can set an automatic adjust Time Base. It made the device prompt response to Low Speed and High Speed for display motor speed from a conveyor. The device can set several pulses in 1 round so the user can measure detailed values quickly in slow round front side and bottoms functio

Front side and function keys



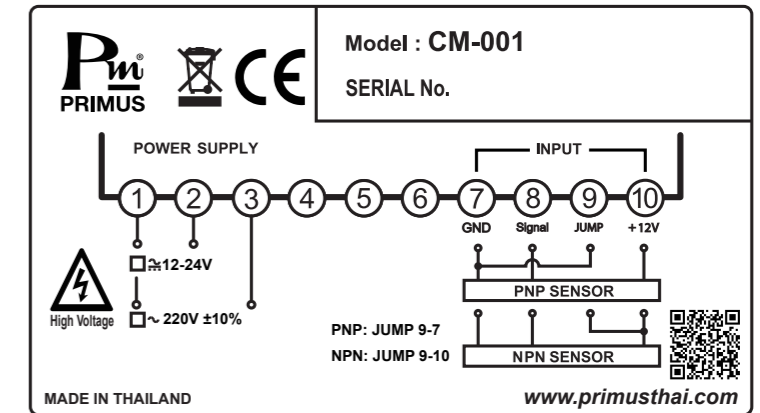
- + is a button for increase value in Pulse/round
- << is for move flash number to other digits
- ENT is for save program value to memory unit
- RST is for Reset device

Display formula

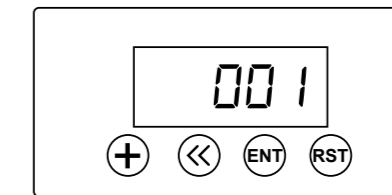
Mode RPM

$$\text{Display Value} = \frac{\text{Frequency (RPM) real measure}}{\text{(Pulse value / round inside devoce)}}$$

WIRING DIAGRAM



SETTING



Function RPM setting

Press ENT hold for 2 seconds to set pulse/round. And it can be set from 1-199 pulses by the last digit will be flashed.

Press + to add value in a position of flashing number since 0-9.

Press << for move digit position to change value

When the user complete setting Pulse/round then press ENT Button for the record the screen which ready to show value round/minute

ORDERING CODE

CM-001 - POWER SUPPLY

CODE	POWER SUPPLY
024	12-24 VAC/VDC
220	220 VAC



บริษัท โพรมัส จำกัด
119 ซ.สีมิ่งอนุสรณ์ ด.สุทธิสารวินิจฉัย แขวงดินแดง
เขตดินแดง กรุงเทพฯ 10400
โทร 0-2693-7005, 0-2277-8027 แฟกซ์ 0-2277-3565
E-mail : sales@primusthai.com