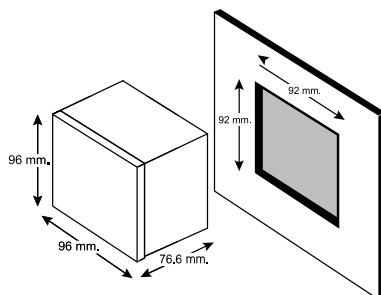


TECHNICAL SPECIFICATION

Power Supply		230 VAC ±15 % 50-60 Hz 115 VAC ±15 % 50-60 Hz
Power consumption		2.5 VA
Display		7-Segment, Size 0.56 Inch 4 Digit 3 Rows
Input	Voltage	Single Phase
	Phase	
	Voltage (Vfull)	21-500 VAC
	Current	Connection 1 CT, Direct
	Current (Direct)	0.02-10 A
	IB(Base Current)	5 A
	Current Transformer Ratio	1-2000
	Primary	9999 A
Communication	Secondary	0.2-5 A
	Accuracy	±1.0% FS
	Protocol	MODBUS RTU
	Baud Rate	2400, 4800, 9600, 19200, 38400 bps
	Parity	None, Even, Odd
	Stop Bits	1, 2
	Data Bits	8 Bits
	Support Device Node	128
Ambient Operation	Temperature	-10 °C to 60 °C
Ambient Storage	Humidity	85 % RH Non-Condensing
	Temperature	-20 °C to 80 °C
Protection Degree	Humidity	85 % RH Non-Condensing
	Front Protection Rating	IP52
Installation	Case Protection Rating	IP30
	Material	Panel Mounting
Size		ABS-V0
Weight		96 x 96 x 76.6 mm. 355 g.

DIMENSION



DESCRIPTION

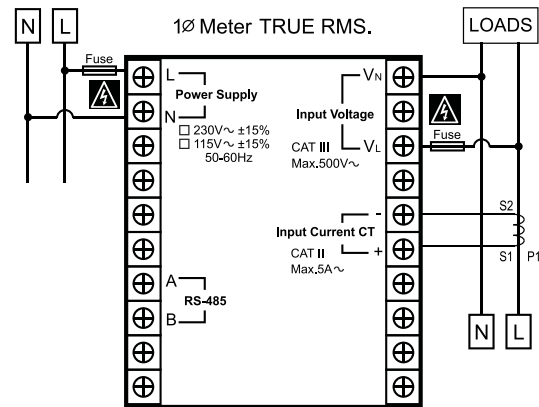
- KM-03N is a device that measures Volt, Amp, Watt system 1 phase.
- Can be combined with CT up to 10,000 / 5 A.
- 7-Segment display size 0.56 in 4 digits, 3 rows
- High accuracy TRUE RMS measurement.
- LED status indicator and power unit.
- Data can be recorded to computer via RS-485 MODBUS RTU PROTOCOL

OPERATION

The display will have a 1 page display Volt, Amp, Watt measured at the current time. The LED com (Communication) will flash every time communication is made via RS-485, MODBUS RTU



WIRING DIAGRAM

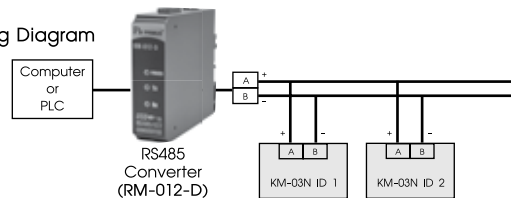


- WARNING**
- Make sure the correct wiring connection before turning on electricity. Mis-wiring may cause malfunction of the unit and fire.
 - Never modify the unit to prevent damage or incident such as malfunction and fire etc.

SERIAL COMMUNICATIONS

Meter KM - 03N can read parameters measured in real time with BUS RS - 485 by PROTOCOL communication is MODBUS RTU Mode. A set of commands that can be used with the Meter

Wiring Diagram



- 0x03 : Read Holding Register
- 0x04 : Read Input Register
- 0x06 : Preset Single Register
- 0x10 : Preset Multi Register

ORDERING CODE

KM-03N- [] - []

Option		Power Supply	
None	None RS-485	None	230 VAC
M	RS-485	115	115 VAC