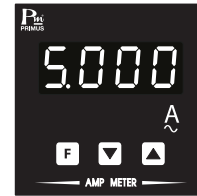


DESCRIPTION

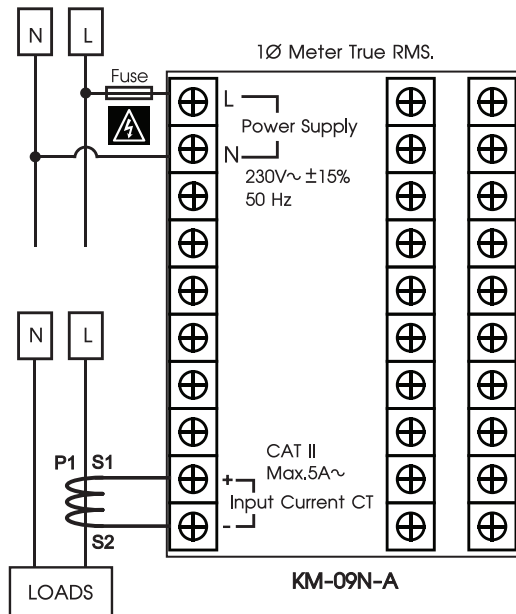
- KM - 09N - A is a device that measures single phase Amp power
- Display as 7 -Segment size 0.80 inches 4 digits
- Can be combined with CT up to 10,000 / 5 A
- CT Ratio can be set from 1 to 2000
- High accuracy TRUE RMS measurement

OPERATION

Can display current measured current and can display from 0.000 to 9999 Amp



WIRING DIAGRAM



WARNING

- Make sure the correct wiring connection before turning on electricity. Mis-wiring may cause malfunction of the unit and fire.
- Never modify the unit to prevent damage or incident such as malfunction and fire etc.

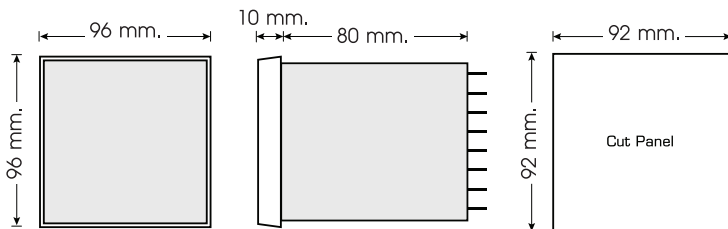
ORDERING CODE

KM - 09N - A

TECHNICAL SPECIFICATION

Power Supply	230 VAC ±15 % 50-60 Hz	
Power Consumption	2.5 VA	
Display	7-Segment Size 0.8 Inch 4 Digit	
Input	Current	Connection 1 CT, Direct
	Current (Direct)	0.025 - 5 A
	Frequency	50 Hz
	Ib(Base Current)	5 A
	Current Transformer Ratio	1-2000
	Primary Current	9999 A
	Secondary Current	0.025 - 5 A
	Accuracy Current	± 1% FS
	Ambient Operation	Temperature
Humidity		85 % RH Non-Condensing
Ambient Storage	Temperature	-20 °C to 80 °C
	Humidity	<75 % RH Non-Condensing
Protection Degree	Front Protection Rating	IP52
	Case Protection Rating	IP30
Installation	Panel, Mounting	
Material	PC-ABS (UL94-V0)	
Size	96 x 96 x 80 mm.	
Weight	290 g.	

DIMENSION



INSTALLATION

