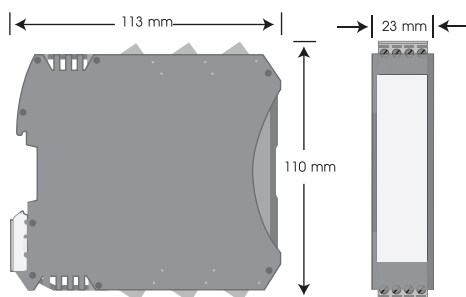



**SPECIFICATION**

Power Supply	9-30 VAC/DC
Power consumption	3.5 VA
Display	RS-485 POWER LED
	Tx LED
	Rx LED
Input	RS-232
Output	RS-485 or RS-422
	Distance : Maximum 1.2 km.
Communication	Baud Rate : 1,200 to 115,200 bps.
	Support Device Node : 128 Node
Ambient Operation	Temperature : -10 °C to 60 °C
	Humidity : 85 % RH Non-Condensing
Ambient Storage	Temperature : -10 °C to 80 °C
	Humidity : 85 % RH Non-Condensing
Protection Degree	IP20
Installation	DIN RAIL
Material	ABS-V0
Size (mm.)	113 x 23 x 110 mm.
Weight	100g.

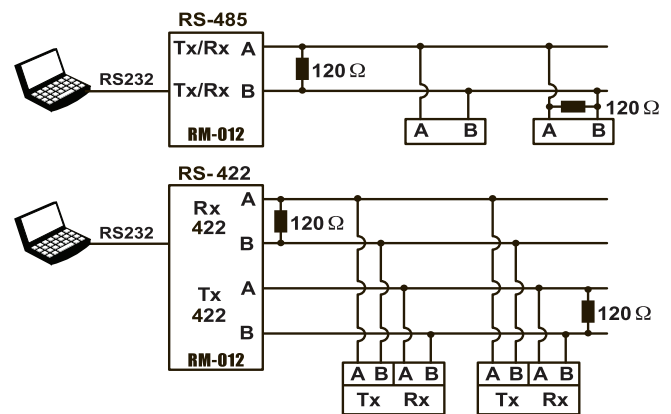
**DIMENSION**

**INSTALLATION**

**DESCRIPTION**

- Device convert signal from RS-232 to RS-485/RS-422 or RS-485/RS-422 to RS-232.
- Able to transmit signal far 1.2 km.
- Auto baud rate 1,200 to 57,600 bps.
- LED Shows operation status of RS-485, USB, Tx, Rx.
- Adaptor 9 VDC to supply voltage to RM-012N-E.
- Maximum device connection 128 devices per 1 RM-012N-E

**OPERATION**

Device change signal from RS-323 to be RS-485/RS-422 or RS-485 /RS-422 to be RS-323. It is the device to be intermediary for connect to other industrial devices that support RS-485 or RS-422 such as PLC, CNC, Power Meter etc.

**WIRING DIAGRAM**

**WARNING**

- Make sure the correct wiring connection before turning on electricity. Mis-wiring may cause malfunction of the unit and fire.
- Never modify the unit to prevent damage or incident such as malfunction and fire etc.

**ACCESSORIES**


- RM-012N-1 : RS-422/RS-485 Repeater
- Device for extend distance for sending signal to go far as 1x.
  - Baud Rate Max. 57.6 kbps.

**ORDERING CODE**

Model	E
Model	E
	RS-232 to RS-422/RS-485