

# COMMONWEALTH AC AXIAL FAN

## FP-108HH

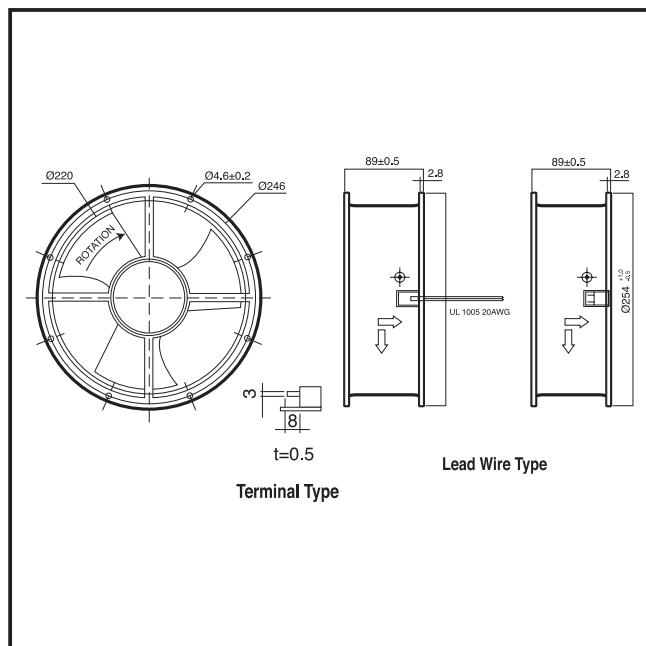
254Øx89mm



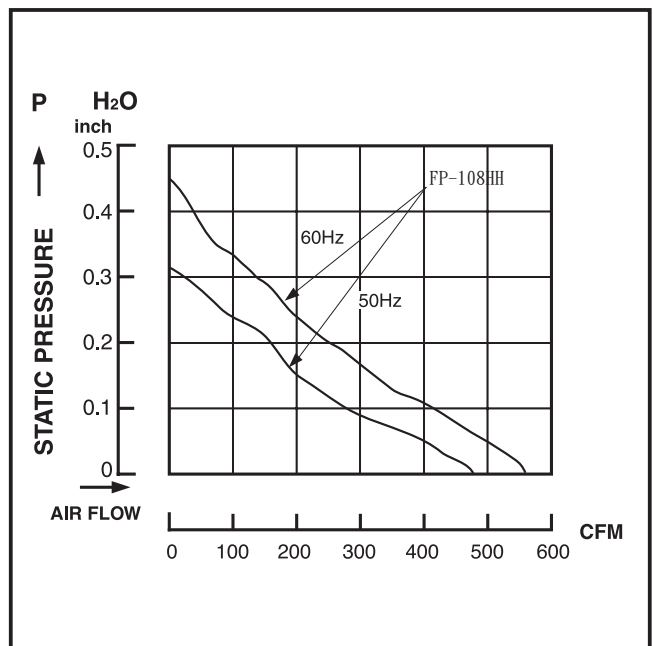
### DESIGN FEATURES

- \*BEARING SYSTEM: BALL BEARING
- \*IMPELLER: PLASTIC WITH FIBER GLASS FILLED UL 94V-0
- \*HOUSING: DIE CAST ALUMINUM PAINTED BLACK
- \*MOTOR: CAPACITOR INDUCTION MOTOR
- \*PROTECTION: THERMAL PROTECTION
- \*CONNECTING: WIRE LEADS & TERMINAL
- \*OTHER VOLTAGE: 100,200VAC(50/60Hz)ARE AVAILABLE

### DIMENSIONS:MM



### PERFORMANCE



### SPECIFICATIONS

Specifications are subject to change without notice

MODEL NO.	VOLT (VAC)	FREQUENCY (HZ)	AIR (CFM)	VOLUME (M <sup>3</sup> /MIN)	CURRENT (A)	POWER (W)	SPEED (RPM)	STATIC PRESSURE (INCH-H <sub>2</sub> O)	NOISE (dBA)
FP-108HH	110/120	50/60	460/550	13.0/15.5	0.32/0.30	35/30	1500/1650	0.35/0.45	48
FP-108HH ( Terminal Type S1-(B2) )	230	50/60	460/550	13.0/15.5	0.14/0.13	31/33	1500/1650	0.35/0.45	48