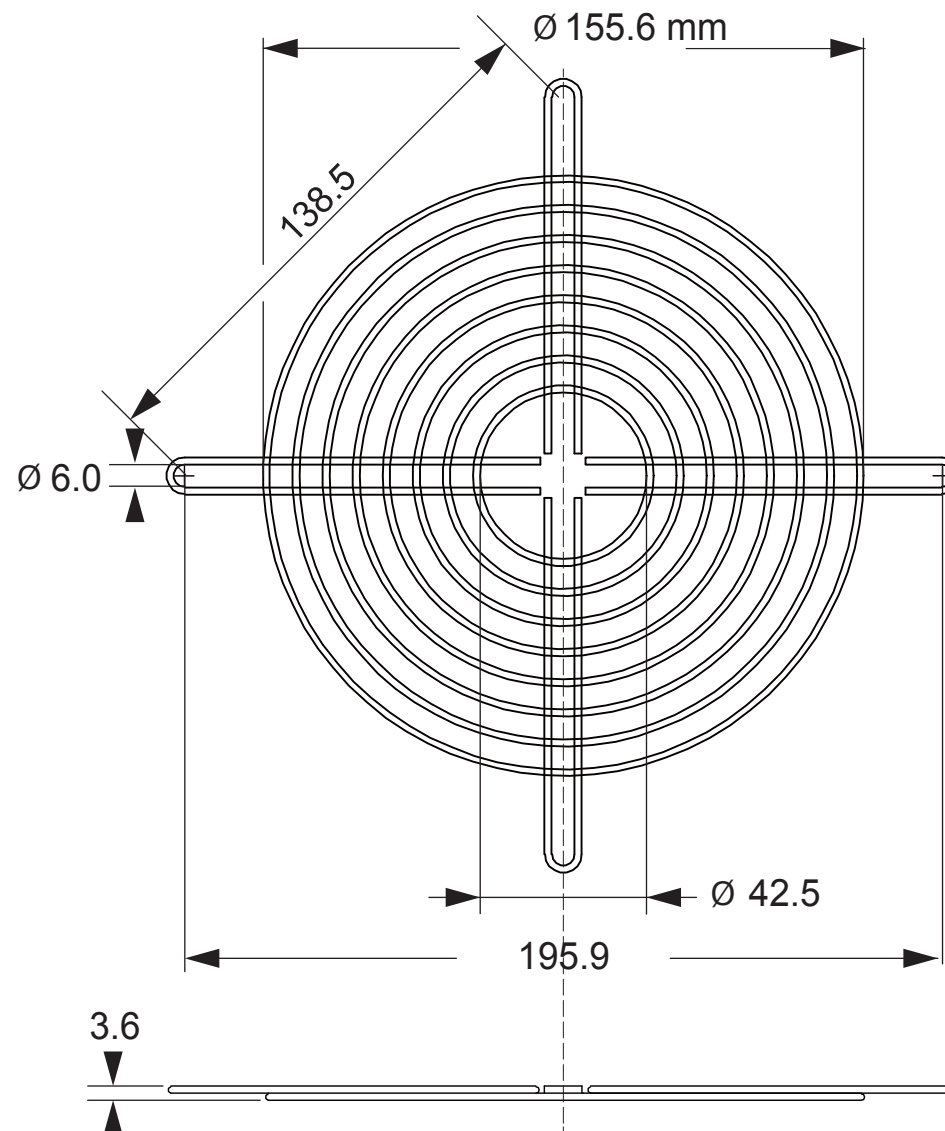


Specifications:

1. General tolerance unless noted is $\pm 0.5\text{mm}$
2. Hole to Hole: 138.5mm
3. Holes dia.: $\text{Ø} 6.0\text{mm} \pm 0.2\text{mm}$
4. Outer ring dia.: $\text{Ø} 155.6\text{mm}$
5. Ring dia.: $\text{Ø} 1.8\text{mm} \pm 0.1\text{mm}$
6. Rib dia.: $\text{Ø} 1.8\text{mm} \pm 0.1\text{mm}$
7. Height: 3.6mm
8. Stagger welds: 8 rings

Material:

- Rings & Ribs Steel wire BL1-195(C1008)
- Surface Treating
Nickled-chrome electro plating surface, bright color
(Black color & other platings are available on request)
- Comply with the limits as set by RoHS / SVHC
- Weld Joints Contact Strength
Spot welding Points to withstand min. 88lbs(40Kgs.)
- Weight: 64.0 Gm



Model No:

B13

(Wire Form, Metal Fan Guard For 160mm (6") Fans)