

ข้อมูลทางเทคนิค

Series 740

3/4-Wire Relative Humidity transmitter

Measurement range	0..100%RH
Operating range	5..95%RH
Output	0..1V, 0..5V, 0..10V, (max 2mA) 0..20mA or 4..20mA standard set at 0..10V
Accuracy @ 25°C	±2%RH (10..90%RH)
Stability	±1%RH over 12 months typically (depending on environmental conditions)
Temperature drift	±0.05%RH/°C type
Response time	10 sec typically (90% of change) without filter, flow 2 m/s
Power supply	14..35VDC for 0..10V output 8..35VDC for lower output
Supply influence	±0.01%RH/V type
Operating temp.	housing -20..+60°C tip -40..+40°C

3/4-Wire Temperature transmitter

Range	user-selectable
Zero selection	10°C steps between -50..+100°C
Span selection	10/50°C steps between 10..+250°C
Output	0..1V, 0..5V, 0..10V, 0..20mA, 4..20mA
Accuracy	±0.2°C
Power supply	14..35VDC for 0..10V output 8..35VDC for lower output

Series 741

2-Wire Relative Humidity transmitter

Measurement range	0..100%RH
Operating range	5..95%RH
Output	4..20mA
Accuracy @ 25°C	±2%RH (10..90%RH)
Stability	±1%RH over 12 months typically (depending on environmental conditions)
Temperature drift	±0.05%RH/°C type
Response time	10 sec typically (90% of change) without filter, flow 2 m/s
Power supply	8..35VDC
Supply influence	±0.01%RH/V type
Operating temp.	housing -20..+60°C tip -40..+40°C

2-Wire Temperature transmitter

Range	user-selectable
Zero selection	10°C steps between -50..+100°C
Span selection	10/50°C steps between 10..+250°C
Output	4..20mA
Accuracy	±0.2°C
Power supply	8..35VDC
Supply influence	±0.01°C/V type

APPLICATIONS

- Energy management
- Bakery products
- Climate control
- Greenhouses
- HVAC
- Warehouses
- Cleanrooms
- Food Processing
- Grain storage
- Meat storage
- Paper
- Textiles
- Fruit storage
- Museums

General

A-000002	Protection cap, plastic (max 150°C)
A-000015	Protection cap with PVDF filter
A-000020	Sintered stainless steel filter
A-000100	Adjustable fitting 3/4" NPT stainless steel
A-000110	Aluminium adjustable flange Ø 80mm

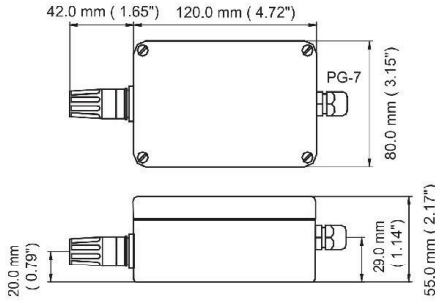
Calibration salts

A-000050	12% reference salt
A-000060	33% reference salt
A-000070	55% reference salt
A-000080	75% reference salt
A-000090	90% reference salt

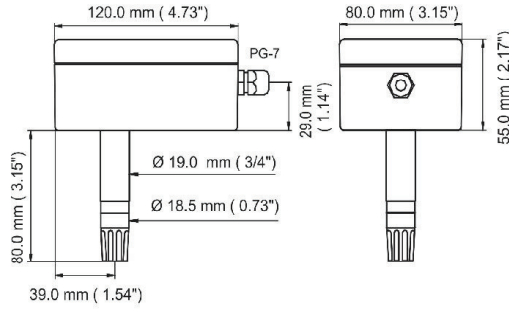
Protection grade for electronics IP65 for sensor IP20 with dust filter IP50

All specifications are subject to change without prior notice

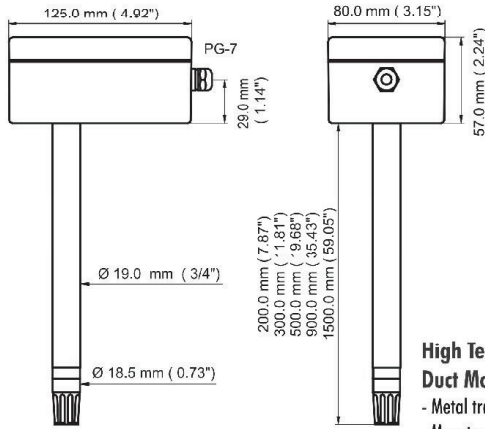
ขนาดและมิติ



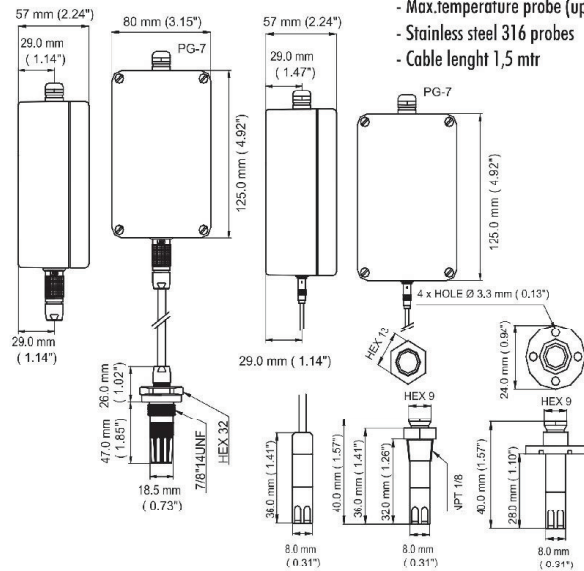
Duct Mount: T-01
 - Max. temperature 60°C
 - Polycarbonate housing
 - Plastic tube



Wall Mount: T-00
 - Polycarbonate housing IP65



High Temperature Duct Mount: T-02/03/8 t/m10
 - Metal transmitter housing
 - Max. temperature tube tip 150°C
 - Several lengths
 - Stainless steel tube



Remote: T-04/05
 - Metal transmitter housing
 - Max. temperature probe (up to 150°C)
 - Stainless steel 316 probes
 - Cable length 1,5 mtr

วิธีการเลือกรุ่น

Wall Mount	2-wire transmitter	3/4-wire transmitter
RH transmitter	HX-741-T-00	HX-740-T-00
RH + Temperature Transmitter	HT-741-T-00	HT-740-T-00

Duct Mount	2-wire transmitter	3/4-wire transmitter
RH transmitter	HX-741-T-01	HX-740-T-01
RH + Temperature Transmitter	HT-741-T-01	HT-740-T-01

High Temperature Duct Mount	2-wire transmitter	3/4-wire transmitter	
RH transmitter	L=300 mm	HX-741-T-02	HX-740-T-02
RH + Temperature Transmitter	L=300 mm	HT-741-T-02	HT-740-T-02
RH transmitter	L=500 mm	HX-741-T-03	HX-740-T-03
RH + Temperature Transmitter	L=500 mm	HT-741-T-03	HT-740-T-03
RH transmitter	L=900 mm	HX-741-T-08	HX-740-T-09
RH + Temperature Transmitter	L=900 mm	HT-741-T-08	HT-740-T-08
RH transmitter	L=1500 mm	HX-741-T-09	HX-740-T-09
RH + Temperature Transmitter	L=1500 mm	HT-741-T-09	HT-740-T-09
RH transmitter	L=200 mm	HX-741-T-10	HX-740-T-10
RH + Temperature Transmitter	L=200 mm	HT-741-T-10	HT-740-T-10

High Temperature Duct Mount	2-wire transmitter	3/4-wire transmitter	
RH transmitter, 7/8" -14 UNF	Cable 1.5 m	HX-741-T-04	HX-740-T-04
RH + Temperature transmitter, 7/8" -14 UNF	Cable 1.5 m	HX-741-T-04	HX-740-T-04
RH transmitter, miniature Ø 8mm	Cable 1.5 m	HX-741-T-05	HX-740-T-05

อุปกรณ์เสริม

Accessory	Part Number
Protection cap, plastic (max. 150 °C / 270 °F)	A-000002
Protection cap with PVDF Dust Filter	A-000015
Sintered Stainless Steel Dust Filter	A-000020
Humidity Calibration Bottle 12 %RH	A-000050
Humidity Calibration Bottle 33 %RH	A-000060
Humidity Calibration Bottle 55 %RH	A-000070
Humidity Calibration Bottle 75 %RH	A-000080
Humidity Calibration Bottle 90 %RH	A-000090
Adjustable Fitting ¼" NPT Stainless Steel	A-000100
Aluminum Adjustable Flange 80 mm dia. (2.3")	A-000110