

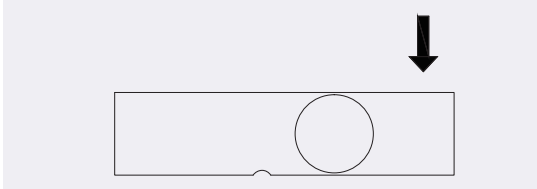
LF-51



规格参数 Specifications

| | | |
|-----------|-------------------------|--------------------------------------|
| 量程 | Capacity | 0 ~ 0.1, 0.2, 0.5, 1, 2, 5, 7.5, 10t |
| 材质 | Material | 合金钢/不锈钢 Alloy steel/Stainless Steel |
| 输出灵敏度 | Rated Output | 2.0/3.0 ± 10% mV/V |
| 零点输出 | Zero Balance | ± 2% F.S. |
| 非线性 | Non-linearity | ± 0.03% F.S. |
| 滞后 | Hysteresis | ± 0.03% F.S. |
| 重复性 | Repeatability | ± 0.03% F.S. |
| 蠕变 (30分钟) | Creep (30min) | ± 0.03% F.S. |
| 温度灵敏度漂移 | Temp. Effect on Output | ± 0.03% F.S. / 10°C |
| 零点温度漂移 | Temp. Effect on Zero | ± 0.03% F.S. / 10°C |
| 输入阻抗 | Input Impedance | 385 ± 10Ω |
| 输出阻抗 | Output Impedance | 350 ± 5Ω |
| 绝缘电阻 | Insulation | ≥5000MΩ/100VDC |
| 使用电压 | Recommended Excitation | 3 ~ 10V |
| 工作温度范围 | Operating Temp. Range | -20 ~ 80 °C |
| 温补温度范围 | Compensated Temp. Range | -10 ~ 60 °C |
| 安全过载 | Safe Overload | 150% |
| 极限过载 | Maximum Overload | 200% |
| 电缆线规格 | Cable Specifications | Ø 5 x 3m |
| 防护等级 | Protection Class | IP65 |
| TEDS 可选 | TEDS Available | |

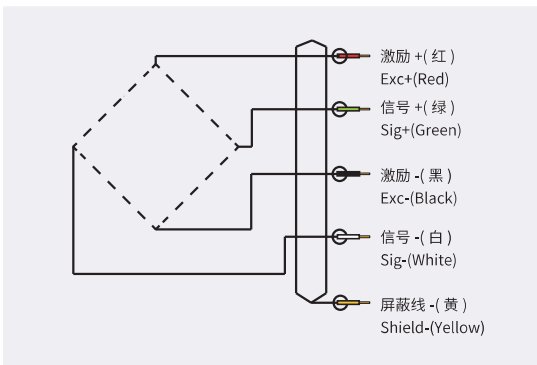
受力方向 Load Direction



产品尺寸 Product Dimension

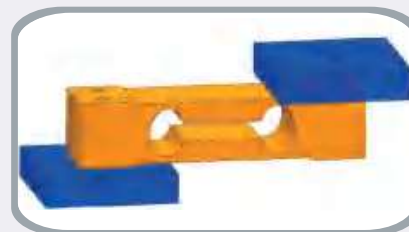
| 量程 Capacity | A | B | C | D | E | F | G | H |
|-------------------------|------|------|------|-----|------|------|------|--------------------|
| 0~100, 200, 250kg | 15.8 | 25.4 | 76.2 | 130 | 25.4 | 31.8 | 13.5 | 2 1/20UNF M12x1.75 |
| 500, 1000, 1500, 2000kg | 15.8 | 25.4 | 76.2 | 130 | 31.8 | 31.8 | 13.5 | 2 1/20UNF M12x1.75 |
| 2500, 5000kg | 19.1 | 38.1 | 95.3 | 172 | 38.1 | 38.1 | 19.8 | 3/4-16UNF M20x2.5 |
| 7500, 10000kg | 25.4 | 50.8 | 124 | 226 | 50.8 | 50.8 | 26.2 | 1 1/4-12UNF M30x2 |

传感器接线示意图 Wiring Diagram



安装方式 Installation Mode

■ 螺纹安装 Screw Mounted



一端固定
另一端受力
Fixed at
one end
& load at
the other end