

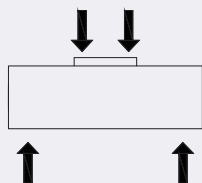
LFC-55A



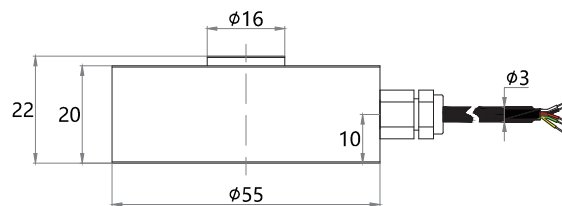
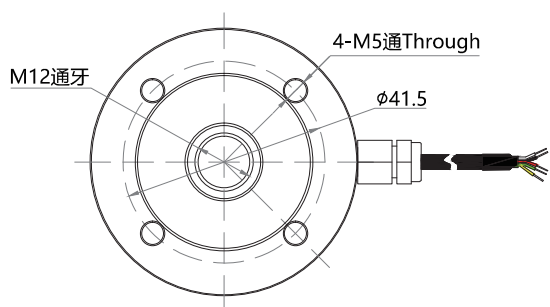
规格参数 Specifications

量程	Capacity	0 ~ 30, 50, 100, 200, 300, 500kg
材质	Material	不锈钢 Stainless Steel
输出灵敏度	Rated Output	2.0 ± 10% mV/V
零点输出	Zero Balance	± 2% F.S.
非线性	Non-linearity	± 0.1% F.S.
滞后	Hysteresis	± 0.05% F.S.
重复性	Repeatability	± 0.05% F.S.
蠕变 (30分钟)	Creep (30min)	± 0.05% F.S.
温度灵敏度漂移	Temp. Effect on Output	± 0.05% F.S. / 10°C
零点温度漂移	Temp. Effect on Zero	± 0.05% F.S. / 10°C
输入阻抗	Input Impedance	750 ± 10Ω
输出阻抗	Output Impedance	700 ± 5Ω
绝缘电阻	Insulation	≥5000MΩ/100VDC
使用电压	Recommended Excitation	3 ~ 10V
工作温度范围	Operating Temp. Range	-20 ~ 80 °C
补偿温度范围	Compensated Temp. Range	-10 ~ 60 °C
安全过载	Safe Overload	120%
极限过载	Maximum Overload	150%
电缆线规格	Cable Specifications	Ø 3 x 3m
防护等级	Protection Class	IP65
TEDS 可选	TEDS Available	

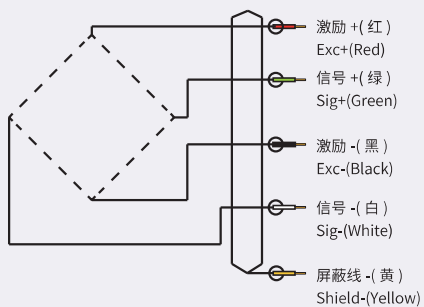
受力方向 Load Direction



产品尺寸 Product Dimension

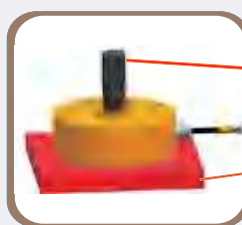


传感器接线示意图 Wiring Diagram



安装方式 Installation Mode

■ 螺纹安装 Screw Mounted



压杆或螺杆
Compression Bar/ Ball Screw

要求上下同轴
Coaxial
up & down
fixing parts
is required

底座, 承力平面
Load Bearing Base