



SAFETY LIGHT CURTAIN

N series Area sensor

F series Thin Area sensor

MS series Thin Area sensor

M series Thin Area sensor

LX series Thin Area sensor

EX series Diffusion reflection



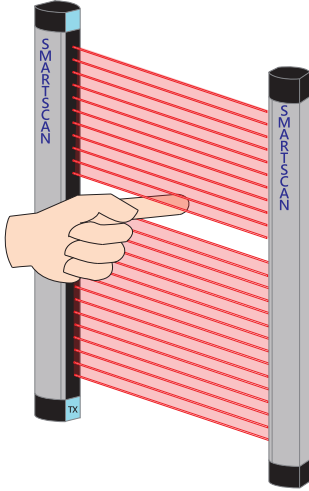
Official website



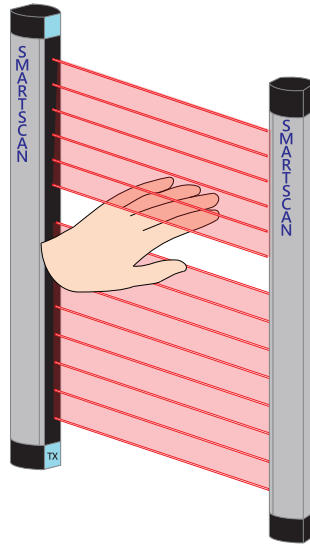
Certificate number : 79Q13722

Area Sensors

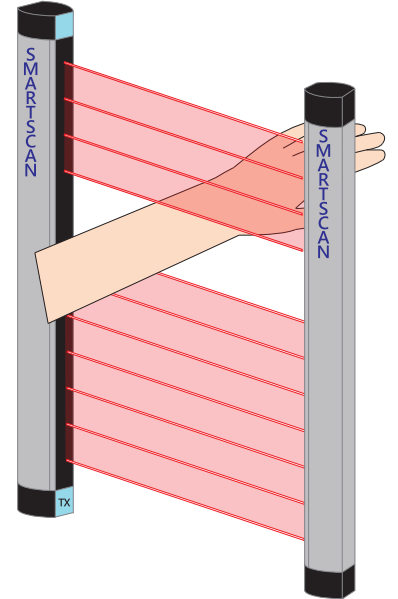
1 Select the light curtain through the required detection capability



Detection capability 14mm
Detect finger



Detection capability 25mm
Detect hand (palm)



Detection capability 45mm
Detect wrist

Additional customized services
Detection capability ≥ 70 mm

2 Select the light curtain through characteristics

N series

P.2

Universal
Various of detection capability

M series

P.10

Slim design
Indicator light
Adjusting switcher

LX series

P.18

Slim design
Side installation

F series

P.6

Slim design
Anti-disturbance light

MS series

P.15

Slim design
Special range
Anti-disturbance light

EX series

P.21

Diffusion reflection
Unilateral installation

N series

Area sensor

Applications

- Injection molding machine
- Packing Line Orientation Control
- Object sensing
- Automation industry sensing
- Parking equipment sensing
- Part picking detection
- Assembly line direction control

Introduction

The N-series area sensing light curtains are versatile in terms of price and variety, and are easy to meet customer needs. They are the most suitable for use in a wide range of sensing light curtains for area detection, protection, inspection and discrimination. Instruction LVD requirements, with CE marking.



Property

- Various type, 40mm(NA) · 25mm(NB) · 70mm(NC) and ND (≥ 70) series through customized detect capabilities
- The most long-range detection of up to 7m; customized range up to 15m.
- Detection zone:70mm ~ 1720mm.
- Optional cross or parallel light to increase the scan range.
- Provide NPN or PNP selection.
- Installation and calibration easy.
- Quality and stability, price concessions.

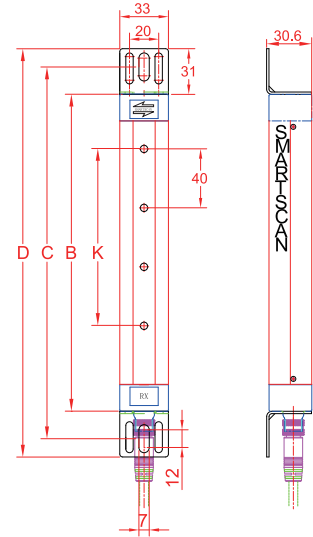
General Specifications

Model	NA	NB	NC	ND
Beam axis pitch	40mm	25mm	70mm	≥ 70 mm
Detection zone	120 mm ~ 1720 mm	75 mm ~ 1575 mm	70 mm ~ 770 mm	
Operating distance	0.5m ~ 1.5 m (LOW) · 1m ~ 3 m (HI) · 1m ~ 7 m (L)			
Reaction time	20msec (It does not include relay switch time)			
Classification	CE LVD ; No safety certification (do not use in dangerous equipment)			
Power supply	24VDC \pm 20%			
Power consumption	Basic 40mA ; 8mA more for each axis, up to 400mA			
Output mode	One set of outputs (NPN); model plus P (PNP output)			
Appearance	Aluminum ; Silver coating(standard) ; Yellow coating(select)			
Connector	M12connector(TX:Gray RX:Black)			
Ambient temperature	0°C to +50°C			
Enclosure rating	IP65			

NA series

Detection Capability 45mm

Beam axis pitch : 40mm		Standard Operating distance 0.5m to 3m L type Operating distance 1m to 7m			
Model	Beams	Detection Zone (K)(mm)	Overall Length (B)(mm)	Install Length (C)(mm)	Assembly Length (D)(mm)
*NA-4	4	120	215	252	277
*NA-6	6	200	295	332	357
*NA-8	8	280	375	412	437
*NA-10	10	360	455	492	517
*NA-12	12	440	535	572	597
*NA-14	14	520	615	652	677
*NA-16	16	600	695	732	757
*NA-20	20	760	855	892	917
*NA-24	24	920	1015	1052	1077
*NA-28	28	1080	1175	1212	1237
*NA-32	32	1240	1335	1372	1397
*NA-36	36	1400	1495	1532	1557
*NA-40	40	1560	1655	1692	1717
*NA-44	44	1720	1815	1852	1877

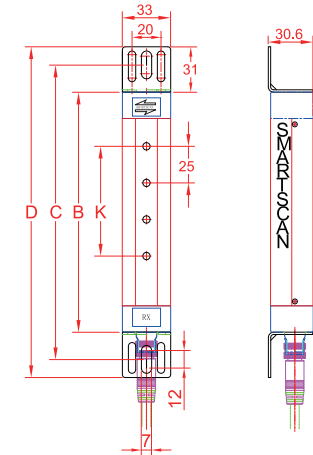


NA Dimensions

NB series

Detection Capability 30mm

Beam axis pitch : 25mm		Standard Operating distance 0.5m to 3m L type Operating distance 1m to 7m			
Model	Beams	Detection Zone (K)(mm)	Overall Length (B)(mm)	Install Length (C)(mm)	Assembly Length (D)(mm)
*NB-4	4	75	164	201	226
*NB-8	8	175	264	301	326
*NB-12	12	275	364	401	426
*NB-16	16	375	464	501	526
*NB-20	20	475	564	601	626
*NB-24	24	575	664	701	726
*NB-32	32	775	864	901	926
*NB-40	40	975	1064	1101	1126
*NB-48	48	1175	1264	1301	1326
*NB-56	56	1375	1464	1501	1526
*NB-64	64	1575	1664	1701	1726

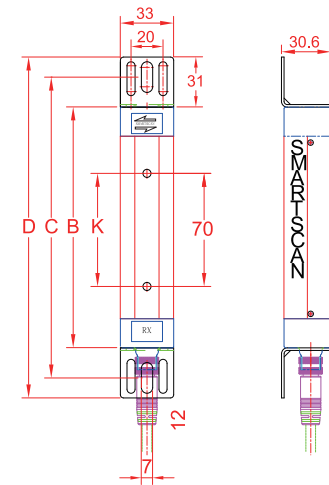


NB Dimensions

NC series

Detection Capability 75mm

Beam axis pitch : 70mm		Standard Operating distance 0.5m to 3m ※NC series is cross light and PNP output			
Model	Beams	Detection Zone (K)(mm)	Overall Length (B)(mm)	Install Length (C)(mm)	Assembly Length (D)(mm)
*NC-2	2	70	149	186	211
*NC-3	3	140	219	256	281
*NC-4	4	210	289	326	351
*NC-5	5	280	359	396	421
*NC-6	6	350	429	466	491
*NC-7	7	420	499	536	561
*NC-8	8	490	569	606	631
*NC-9	9	560	639	676	701
*NC-10	10	630	709	746	771



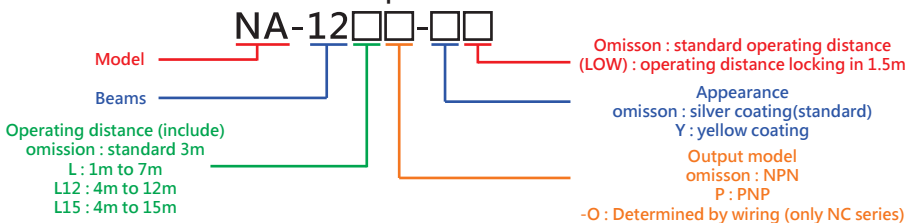
NC Dimensions

ND series

Additional customized services
Detection capability ≥ 70mm

Beam axis pitch : ≥70mm		Standard Operating distance 0.5m to 3m	
Detection Capability : ≥75mm		L type Operating distance 1m to 7m	

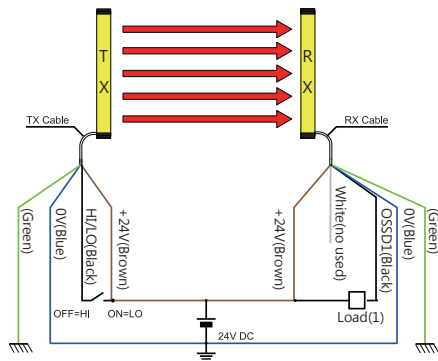
Customized service description of N series :



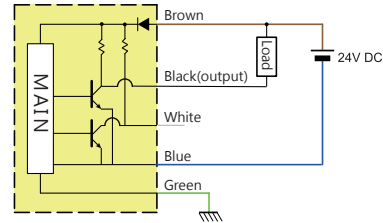
※ SMARTSCAN provide customized services.
Please connect with our sales.

NA · NB Electric Connection

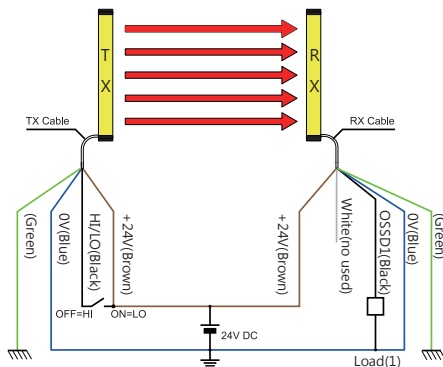
Standard model: It has a set of independent NPN (crystal NO/NC contact) output current of 200mA; when the light curtain is normally operated, the black wire is turned on to 0V, and there is no conduction when shielding.



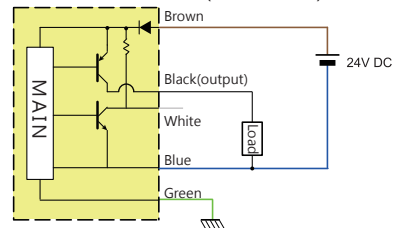
Standard model receiver (1 set of NPN)



Select model P: has an independent PNP output current of 200mA; when the light curtain is normally activated, the black line output is +24V, and there is no output when blocking.

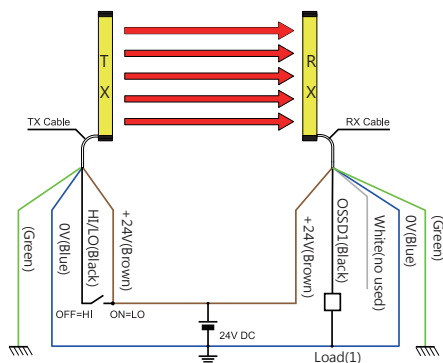


Select model receiver (1 set of PNP)

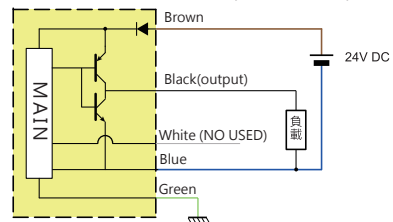


NC Electric Connection

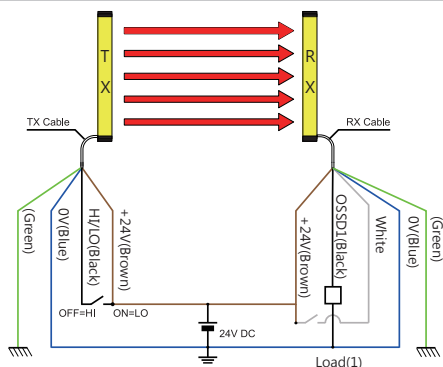
Standard model: It has an independent PNP output. When the light curtain is normally operated, the black line output is +24V, and the maximum current is about 20mA. When it is shielded, it can be turned on to 0V, and the maximum current can be 40mA.



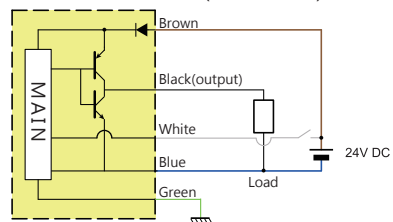
Standard model receiver (1 set of NPN)



Select model O: has a selectable output, the white line controls the output mode; when the white line is connected to +24V, the black line is the PNP output; when the white line is connected to 0V, the black line is the NPN output.

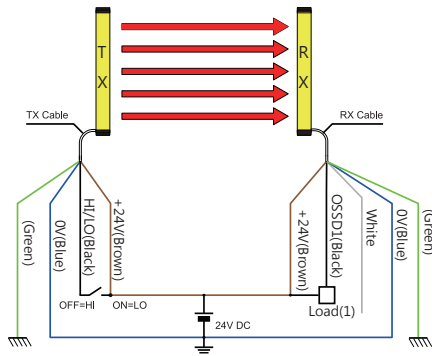


Select model receiver (PNP or NPN)

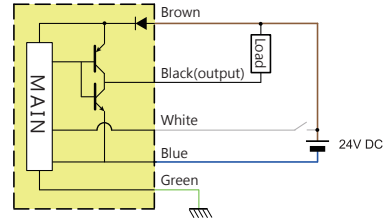


ND Electric Connection

Standard model: It has a separate NPN output. When the light curtain is normally activated, the black line output is 0V. When blocking, the output is +24V. It can be set to PNP output via white line +24V.

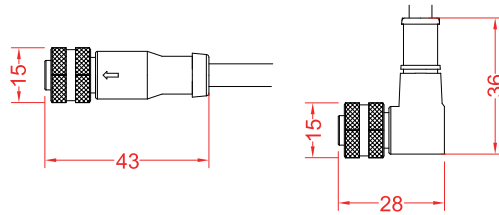


Standard model receiver (1 set of NPN)



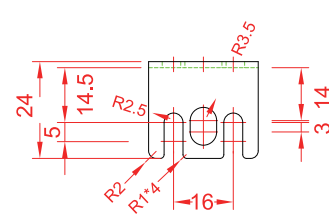
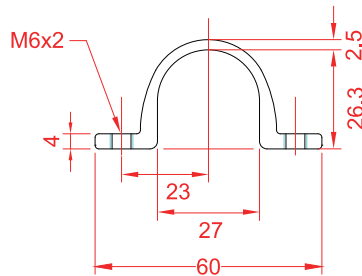
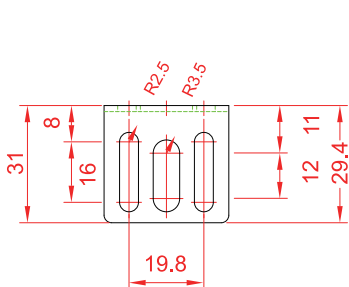
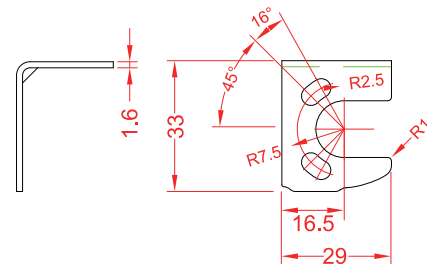
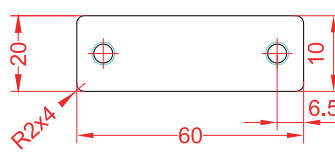
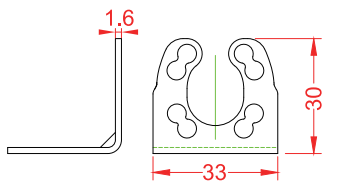
Accessories

Connector			Part number	
M12 connector	Connector(1) : 180° (standard)	Connector(2) : 90° (select)	N-3m-180	3m (180°)
			N-3m-90	3m (90°)
			N-5m-180	5m (180°)
			N-5m-90	5m (90°)
			N-10m-180	10m (180°)
			N-10m-90	10m (90°)



Braccket

Omnidirectional braccket	Cylindrical braccket	Side type braccket
--------------------------	----------------------	--------------------





Business Consulting



Customer service



SMARTSCAN TW LTD.
www.smartscan.com.tw

2F, No. 5, Gongyequ 10th Rd., Xitun Dist.,
Taichung City 407, Taiwan (R.O.C.)
Tel : +886-4-2359-8885 Fax : +886-4-2359-9423
E-mail: Sales01.smartscan@gmail.com
Sales02.smartscan@gmail.com