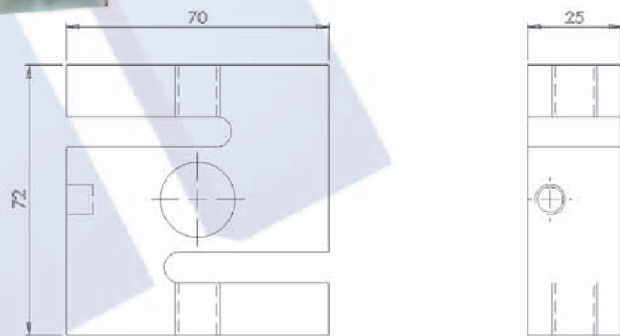




Model : STK
Capacity : 500 Kg
Output : 2.000 mV/V
Serial No: 10518
Class : C3
Date : 11.2017

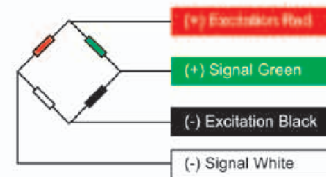


Application

- Tank, and hopper weighing
- Mechanical scale conversions
- Tension and compression measurements
- Crane scale

Features

- Capacity Range:50 to 1000 Kg.
- Aluminum construction
- IP66 Protection
- High accuracy,



Description

STK-A is Aluminum structure ,anti-corrosion, suitable for multiform environments for electronic platform scales, hopper scales, and other electronic weighing devies.



MODEL : STK/STKSS / CLASS : C3		Specifications
CAPACITY	: 50,100,200,300,500,1000	kg
RATED OUTPUT	: 2.0000	mV/V
MAXIMUM DIVISION	: nmax	3000
MINIMUM LOAD CELL VERIFICATION INTERVAL	: Y= Emax / Vmin	10000
MINIMUM DEAD LOAD Emin	: 0	Kg
ZERO BALANCE	: 0.010	mV/V
INPUT RESISTANCE	: 380,00 ±20	Ω
OUTPUT RESISTANCE	: 350,00 ±3	Ω
INSULATION RESISTANCE	: <=5000	MΩ
COMBINED ERROR	: ±0.02	%FS
CREEP	: ±0.02	%FS
ELEMENT MATERIAL	: Aluminum	
PROTECTION	: IP66	
CABLE LENGTH	:3m	m
TEMPERATURE EFFECT		
COMPENSATED	: -10~ +40	°C
OPERATION	: -30~ +70	°C
MAXIMUM OVERLOAD		
SAFE	: 120	%FS
ULTIMATE	: 200	%FS
EXCITATION (VDC)		
RECOMMENDATION	: 10	VDC
MAXIMUM	: 15	VDC