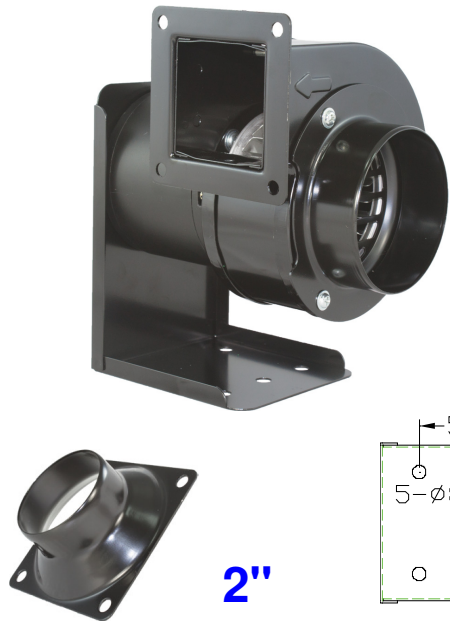
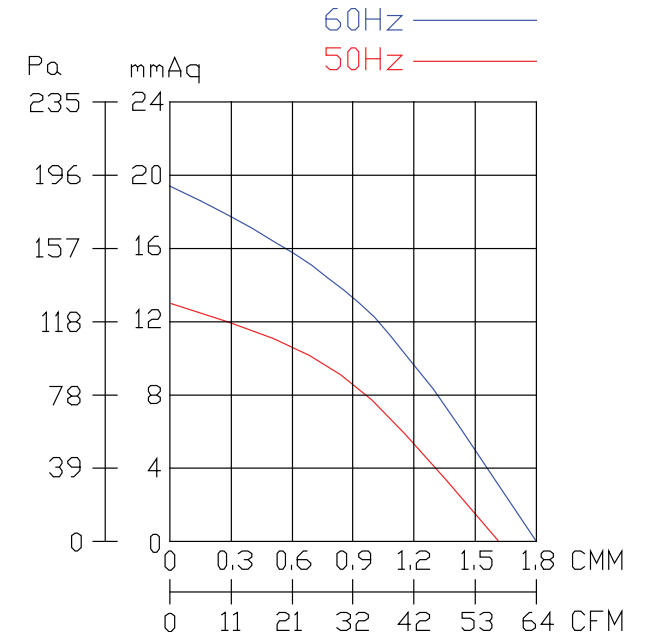
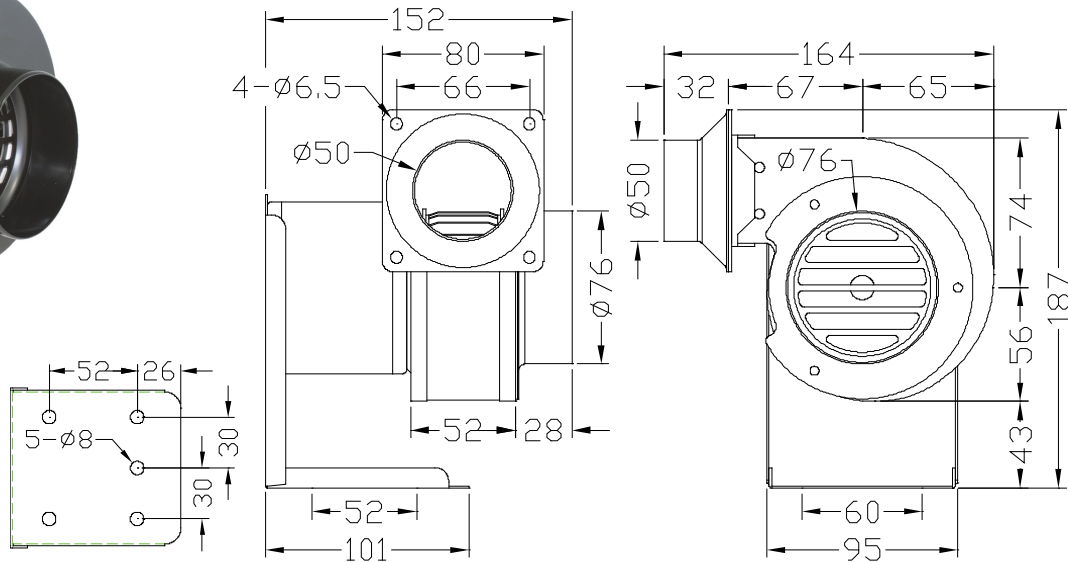


# CY076 Specification Sheet



2"



Model	Rated Voltage	Frequency	Phase	Pole	Current	Power	Speed	Max. Air Flow			Max. Pressure			Weight
	V							Hz	Ø	P	A	Watt/HP	R.P.M.	
CY076	110/220	50	1	2	0.35 / 0.17	25 w	2860	1.6	96	56	13	0.51	127	2.0
		60			0.28 / 0.14		3300	1.8	108	64	19	0.75	186	



CAM YORK INDUSTRIAL CO.,LTD.

NO.63 Jifeng Rd., Wufeng Dist., Taichung City 413, Taiwan.

TEL:04-23322627

FAX:04-23322629

E-mail: blower-cy@umail.hinet.net

http://www.blower.com.tw/