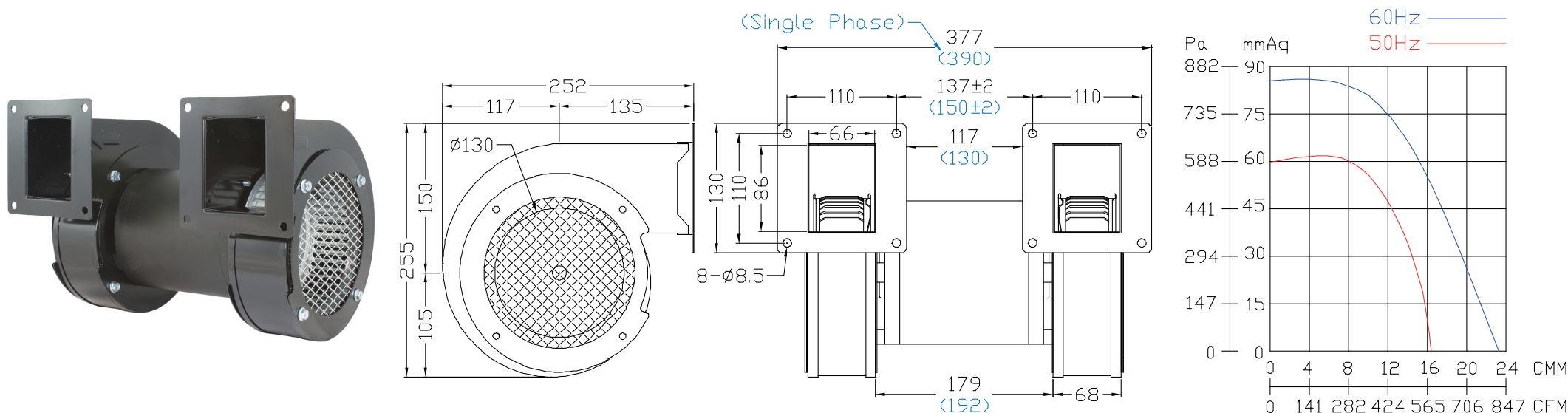


# CY150M Specification Sheet



The dimensions of the unidirectional windmills are shown in brackets.

Model	Rated Voltage	Frequency	Phase	Pole	Current	Power	Speed	Max. Air Flow			Max. Pressure			Weight							
	V							Hz	Ø	P	A	Watt/HP	R.P.M.		CMM	m3/hour	CFM	mmAq	inchAq	Pa	KG
CY150M	110/220	50	1	2	5.0 / 2.5	3/4 HP	2900	17.6	1056	621	60	2.36	588	13							
		60			7.6 / 3.8										3450	23	1380	812	85	3.35	834
	220/380	50	3		2.5 / 1.5										2900	17.6	1056	621	60	2.36	588
		60			2.6 / 1.5																



CAM YORK INDUSTRIAL CO.,LTD.

NO.63 Jifeng Rd., Wufeng Dist., Taichung City 413, Taiwan.

TEL:04-23322627

FAX:04-23322629

E-mail: blower-cy@umail.hinet.net

http://www.blower.com.tw/