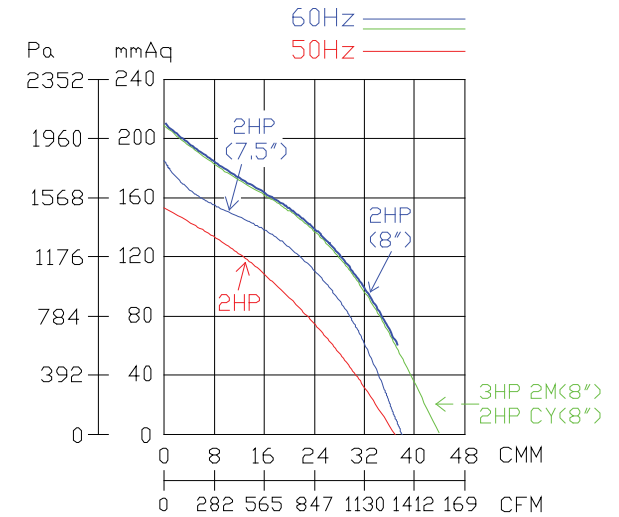
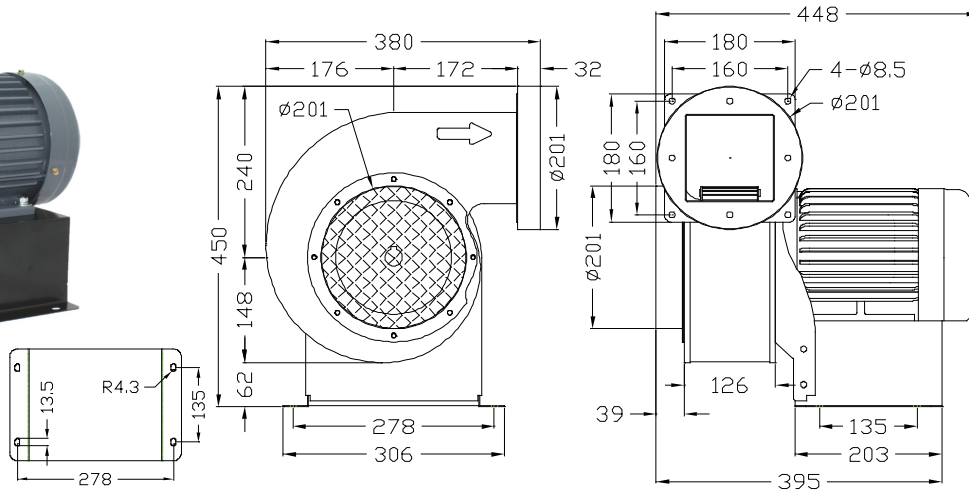


CY200 Specification Sheet



Model	Rated Voltage	Frequency	Phase	Pole	Current	Power	Speed	Max. Air Flow			Max. Pressure			Weight
	V							Hz	Ø	P	A	Watt/HP	R.P.M.	
CY200	220	50	1	2	8	2 HP	2850	37	2220	1306	152	5.98	1491	31
		60			10		3380	44	2640	1553	214	8.43	2099	
	220/380	50	3	2	CY 5.4 / 3.2	2850	37	2220	1306	152	5.98	1491	30	
		60			CY 7.1 / 4.2	3380	44	2640	1553	214	8.43	2099		
		60			Empty Blow 2HP- 7.5"	3450	38	2280	1341	185	7.28	1814		
	220/380	60	3	2	8 / 4.7	3 HP	3480	44	2640	1553	214	8.43	2099	



CAM YORK INDUSTRIAL CO.,LTD.

NO.63 Jifeng Rd., Wufeng Dist., Taichung City 413, Taiwan.

TEL:04-23322627

FAX:04-23322629

E-mail: blower-cy@umail.hinet.net

http://www.blower.com.tw/