



คุณสมบัติ

อุปกรณ์วัดความชื้นและอุณหภูมิแบบ Duct-Mount สามารถใช้งานกับ อุณหภูมิได้สูงถึง 150 °C ย่านในการวัด 0 to 100% rh / -40 to +150 °C วัสดุทำจากสแตนเลสมีความทนทาน สามารถเลือกความยาวของแท่งโพรบได้หลายขนาด โดยมีให้เลือกใช้งานทั้งแบบวัดความชื้นเพียงอย่างเดียว และวัดความชื้นและอุณหภูมิภายในตัวเดียวกัน มีเอาต์พุตแบบ 2 สาย 4-20mA และ 3/4 สาย 0-1V, 0-5V, 0-10V, 0-20mA หรือ 4-20 mA โดยการตั้งค่า ส่วนอุปกรณ์เพิ่มเติมจะมีฟิลเตอร์ ป้องกันฝุ่น และหน้าแปลนสำหรับยึดประกอบในการติดตั้ง

The DT722 is a rugged industrial relative humidity and temperature transmitter designed for process applications where accurate, stable measurement and control of humidity and temperature is required.

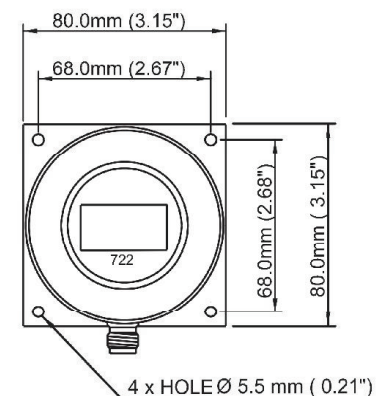
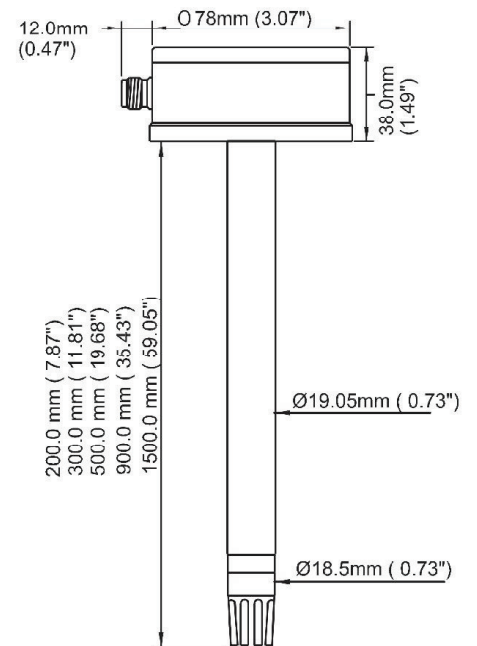
HIGHLIGHTS

- Designed for accurate measurement in a harsh environment
- Can withstand temperatures up to 150 °C (300 °F)
- Stainless steel housing
- Calculated moisture signal output, optional

ข้อมูลทางเทคนิค

PERFORMANCE	
Measurement range	(RH) 0-100% RH
Measurement range (T)	40 to +150 °C (-40 to +302 °F)
RH Accuracy at 25 °C / 77 °F	<±2% RH (5-95% RH)
Accuracy at 25 °C / 77 °F Temperature	±0.36 °F / ±0.2 °C typical
Stability - RH Sensor	±1% RH/year
Response time - RH Sensor	<10 sec typical (for 90% of the step change)
ELECTRICAL OUTPUT/INPUT	
Output signal	Dual 4-20 mA signals
Supply voltage	8-35 VDC
Supply voltage influence	±0.01% RH/V typical
OPERATING CONDITIONS	
Operating temperature	
Probe	-40 to +150 °C (-40 to +302 F)
Housing	-30 to +70 C (-22 to +158 F)
Storage	-40 to +75 C (-40 to +167 F)
MECHANICAL SPECIFICATION	
Ingress protection	IP65 IP65 (NEMA 4 level)
Housing material	Stainless Steel
Weight	200 mm: 800g (7.87": 28.22oz) 300 mm: 900g (11.81": 31.75oz) 500 mm: 1040g (19.69": 2.29lb)
Electrical connections	4 pin, M12

ขนาดและมิติ



Accessories and Spare Parts

19mm (0.75") Slotted protection cap black	A000002
19mm (0.75") PVDF filter	A000014
19mm (0.75") PVDF filter w/ protection cap black	A000015
19mm (0.75") Mesh filter w/ protection cap black	A000021
19mm (0.75") Arrow SS sintered filter 5µm / 10µm / 20µm	A000025/26/27
19mm (0.75") connector, no cable, w/screw terminal	A000030
19mm (0.75") Connector, with cable (customer spec length)	A000030XM
19mm (0.75") connector with 2m (6.5') cable	A000031
19mm (0.75") connector with 5m (16') cable	A000032
19mm (0.75") Foil filter 2µm w/protection cap black	A000040
19mm (0.75") Oleophobic foil filter 0.7µm with protection cap black	A000042
19mm (0.75") Foil filter 1.5µm w/protection cap black	A000044
3/4" NPT SS adj. fitting for SS probes	A000100
Al mounting flange for ø19mm (0.75") SS probes (outside ø80mm (3.15"))	A000110

You can check your hygrometer with the Control Kit HKC which is based on the principle of non-saturated salt solutions. Refer to technical data sheet CONTROL KIT **HKC**

การต่อใช้งาน

Connections		
Cable	Pin	
White	Pin 1	Output RH +
Brown	Pin 3	Output RH -
Green	Pin 4	Output T +
Yellow	Pin 2	Output T -
Connect RH + with T + by user		

การสั่งซื้อ

To construct the order code, select the relevant feature from the tables below, starting with the base model, which is {Feature A} and then add on options to create a string: {Feature A}+{Feature B}+{Feature C}+{Feature D}+{Feature E}+{Feature F}+{Feature G}

Order example : DT722+SX+A+HT0+03+CA+F02

RH & temperature transmitter DT722, no display, Output 1 - calc absolute humidity, Output 2 - temp output 0 to +100oC (+32 to +212oF), 300mm (11.81") probe length, no cable, 19mm slotted protection cap black



Base Model {Feature A}	
RH & temperature transmitter	DT722

Display {Feature B}	
Display	SD
No display	SX

Moisture Signal {Feature C}	
RH	H
Calculated dp temp (Range (Td) -40 to +60°C (-40 to +140°F) - Only possible with Temp Signal T1)	D
Calc absolute humidity (Abs) (Range Abs from 0-200g/m3 - Only possible with Temp Signal T1)	A
Calculated wetbulb temp (Range (Tw) -40 to +60°C (-40 to +140°F) - Only possible with Temp Signal T1)	W

Temperature Signal {Feature D}	
0 to +100°C (+32 to +212°F)	HT0
-40 to +150°C (-40 to +302°F)	HTS
Other output scaling available on request	TX

Length {Feature E}	
200mm (7.87") probe length	02
300mm (11.81") probe length	03
500mm (19.69") probe length	05
900mm (35.43") probe length	09
1500mm (50.06") probe length	15

Filter {Feature G}	
19mm (0.75") slotted protection cap black	F02
19mm (0.75") PVDF Filter with protection cap black	F15
19mm (0.75") Mesh Filter with protection cap, black	F21
19mm (0.75") Arrow SS sintered Filter 5 µm	F25
19mm (0.75") Arrow SS sintered Filter 10 µm	F26
19mm (0.75") Arrow SS sintered Filter 20 µm	F27
19mm (0.75") Foil Filter 2 µm with protection cap black	F40
19mm (0.75") Oleophobic foil Filter 0.7µm with protection cap black	F42
19mm (0.75") Foil Filter 1.5 µm w/protection cap black	F44

Cable Length {Feature F}	
No cable	CA
19mm (0.75") connector, no cable, w/screw terminal	CB
19mm (0.75") connector with 2m (6.5') cable	CC
19mm (0.75") connector with 5m (16') cable	CD