



### คุณสมบัติทั่วไป

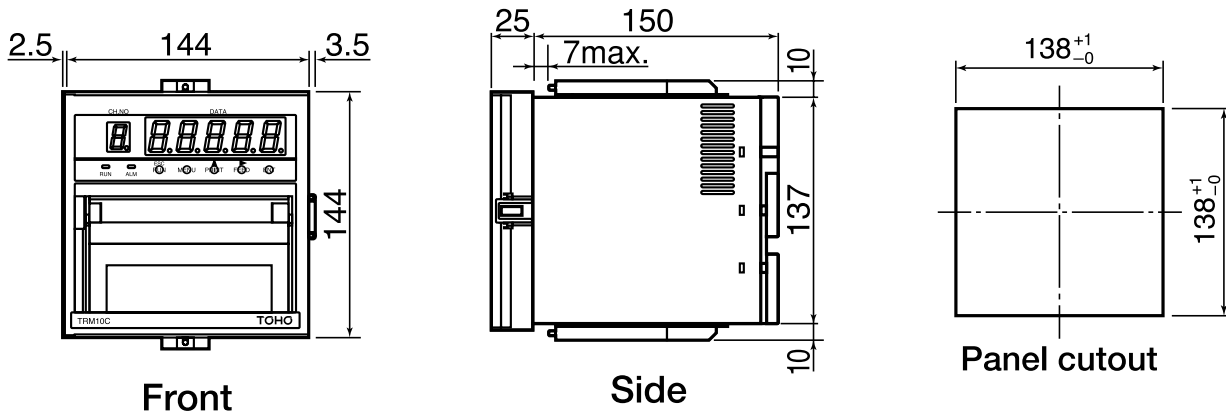
- ขนาดกะทัดรัด 144(ก) x 144(ย) x 150(ล) mm.
- น้ำหนักเพียง 1.5 kg. (รุ่นบันทึก 6 จุด)
- รับอินพุตได้หลากหลาย
- สื่อสารผ่าน RS-232C ได้
- ระดับการป้องกัน IP 65
- ได้รับมาตรฐาน UL, CSA & CE

### ข้อมูลทางเทคนิค

TITLE		PEN RECORDER	MULTIPOINT RECORDER	
Input	Number of Inputs	1 pen or 2 pen	6 point	
	Measuring Cycle	125ms	10s/6ch, max	
	Input Type	Direct voltage: $\pm 10\text{mV}$ , $0-20\text{mV}$ , $0-50\text{mV}$ , $\pm 200\text{mV}$ , $\pm 1\text{V}$ , $\pm 10\text{V}$ , $0-5\text{V}$		
		Direct current: $4-20\text{mA}$ ( $250\ \Omega$ shunt resistance required to install externally)		
Thermocouple: K, T, J, E, B, S, R, C, N, PR40-20, PLII, L, Au-Fe, U R.T.D.: Pt100, JPt100				
Performance	Accuracy	$\pm 0.3\%$ $\pm 3$ digit max. for Digital indicator/printing		
	Noise Reduction	NMRR (Normal mode): 60dB min. (50/60Hz $\pm 0.1\text{Hz}$ ) CMRR (Common mode): 140dB min. (50/60Hz $\pm 0.1\text{Hz}$ )		
	Isolation Resistance	Each terminal/ground: 500V DC, 20M $\Omega$ min.		
	Voltage-proof	Power input terminal/ground: 1.5kV AC, 1 minute		
		Input terminal/ground: 0.5kV AC, 1 minute		
	Vibration-proof	10~60Hz, 1m/s <sup>2</sup> max.		
Shock-proof	2m/s <sup>2</sup> max.			
	Number of Relay Outputs	3 outputs (Form A contacts: Built-in option)	6 outputs (Form A contacts: Built-in option)	
Capacity	250V AC 3A max. loaded, 30V DC 3A max. loaded			
Communication	Interface	RS-232C (Standard), RS-485 (Option)		
Power Supply	Rated Power Voltage	100-240V AC (50/60Hz)		
	Power Consumption	30VA max. (100V AC)	25VA max. (100V AC)	
Structure	Mounting/Housing	Panel mounting / Front panel: Dust-proof, Water-proof (IP-65)		
	Dimensions	144(W) x 144(H) x 150(D) mm		
	Gross Weight	2.0-2.5kg max.	1.5kg max.	
Operation Condition	Allowable Conditions	Temperature: 0-50°C, Humidity: 20-80%RH		
Recording/Printing	Recording	Disposable felt pen		
	Printing	Wire dot 1 color ribbon		
	95% Step Response Time	1.0s max.		
	Dot Print Cycle	10.0s/6ch max.		
	Chart Paper	Length: 16m, Width: 114mm, Width folded: 40mm		
	Chart Speed	User-selective from 41 speeds in range: 5-12000mm/hr.	User-selective from 34 speeds in range: 0-1500mm/hr.	
	Printing Color	Red, Green	Purple, Red, Green, Blue, Brown, Black	

※Specifications are subject to change without notice.

### ขนาดและรูปร่าง



### อุปกรณ์เสริม

- |   |   |
|---|---|
| <p><b>1. Chart Paper</b><br/>(HZCGA0105EL001)</p> <p><b>2. Ribbon Cartridge For 6 Point Recorder</b><br/>(WPSR188A000001A)</p> <p><b>3. Ribbon Cartridge For 1 Pen/2 Pen Recorder</b><br/>(HPSR001H0002C)</p> | <p><b>4. Cartridge Pen</b><br/>(WPSR196A000001A; No. 1)</p> <p><b>5. Cartridge Pen</b><br/>(WPSR196A000002A; No. 2)</p> <p><b>6. Shunt Resistance</b><br/>(HMSU3081A01)</p> |
|---|---|

### การติดต่อสั่งซื้อ

